

MATERIAL

HOUSING: NYLON66, UL94V-0
CAGE: COPPER ALLOY, M3/Ni PLATED
SCREW: STEEL, M3, TORQUE: 0.5N.m
PIN: COPPER ALLOY, Sn PLATED

ORDER INFORMATION

5 T S 7 5 0 S - 1 3 0 N X X E L X - 0 1

750
PITCH: 7.50mm

SERIES NO.

POLES
(02-18P)

E: GREEN

A: TRAY
B: BAG

MECHANICAL

OPERATING TEMPERATURE: -40°C~+105°C
SOLDERING TEMPERATURE: 260°C/5S
STRIPPING LENGTH: 6~7mm

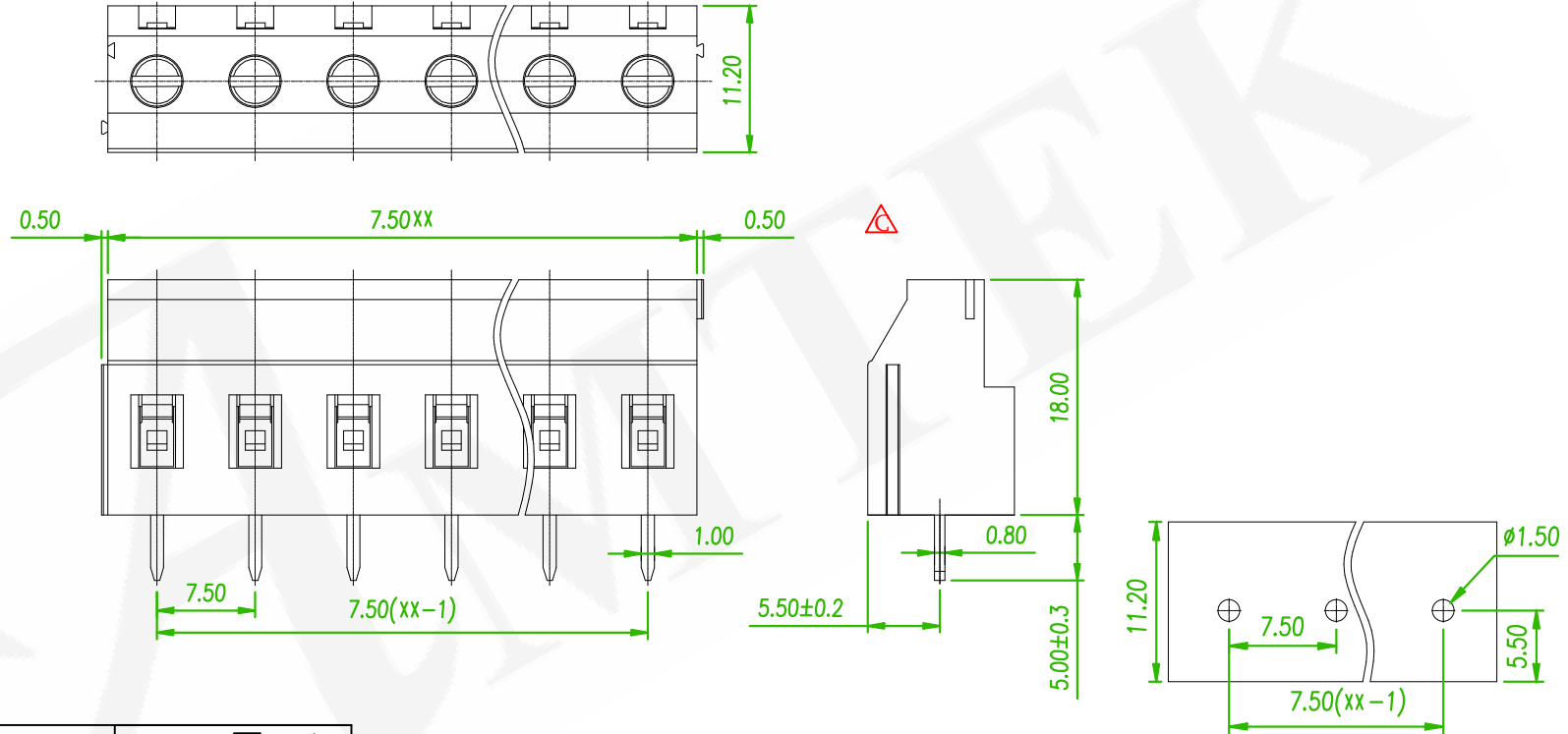
TECHNICAL DATA

UL/CUL

SAFETY APPROVAL			
USE GROUP	B	C	D
RATED VOLTAGE (V)	300	150	300
RATED CURRENT (A)	20	20	10
WIRE RANGE	26-12		
SOLID/STRANDED (AWG)			
WITHSTANDING VOLTAGE	1600V (1MIN)		

IEC IEC60947-7-4

OVERVOLTAGE CATEGORY	III	III	II
CONTAMINATION CLASS	3	2	2
RATED VOLTAGE (V)	450	630	1000
RATED CURRENT (A)	24	24	24
IMPULSE WITHSTANDING VOLTAGE (KV)	6.0	6.0	6.0
CONDUCTOR CROSS SECTION	0.5-2.5		
SOLID/FLEXIBLE (mm ²)			



RECOMMENDED PCB LAOUT
(PCB TOLERANCE ±0.05)

linear dimension (Tolerances Standard GB/T 14486-2008)							—			
variable range	to 6	over 6 to 10	over 10 to 30	over 30 to 60	over 60 to 100	over 100 to 160	to 10	over 10 to 100	over 100 to	
tolerance	±0.20	±0.30	±0.50	±0.70	±1.00	±1.30	±1.60	0.10	0.30	0.60

	ECN NO: 240348 Revise the drawing	Gaby	2024/07/22
	ECN NO: 200718 Revise the Tolerance	Alice	2020/12/10
REV.	ECN NO. OR DESCRIPTION	REVISED	DATE

懋德精密有限公司
Amtek Technology Co., Ltd.
TEL: 886-2-2260-6878
FAX: 886-2-2260-8030

品名 TITLE	TERMINAL BLOCK PCB SCREW 7.50mm DIP V/T TYPE				頁數 Page	1/1
品號 PART NO.	5TS750S-130NXXXLX-01			繪圖 DRAWN	ERIC 2018/11/21	
圖號 DRAWING NO.	GN011-EA057	版本 REV.	D	核對 CHECKED	JOSH 2018/11/21	
客戶品號 CUSTOMER P/N		比例 SCALE	None	承認 APPROVED	JASON 2018/11/21	
公差 TOLERANCE		單位 UNIT	mm	第三 ANGLE PROJECTION		