

ORDER INFORMATION

5 T S 7 5 0 S - 1 2 8 N X X X L X - 0 1

MECHANICAL

STRIP LENGTH: 6~7mm
TEMP. RANGE: -40°C ~ +105°C
MAX SOLDERING: +260°C, FOR 5 SEC

MATERIAL

HOUSING: NYLON 66, UL94V-0
SCREWS: M2.5, STEEL, Zn PLATED, TORQUE: 0.4N.m
PIN: COPPER ALLOY, Sn PLATED
CAGE: COPPER ALLOY, Ni PLATED

TECHNICAL DATA

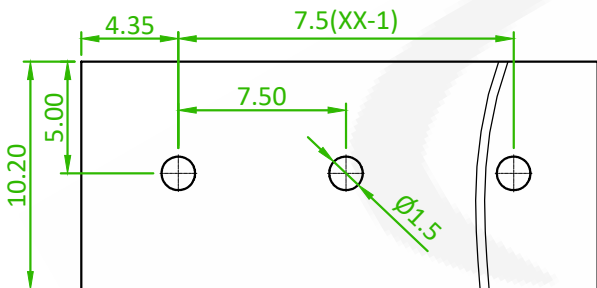
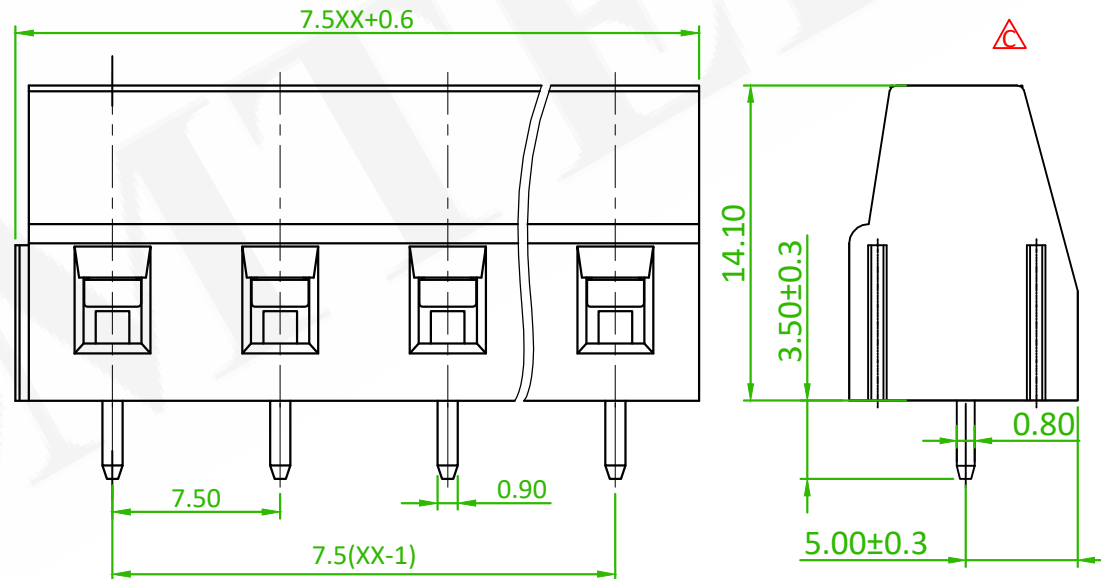
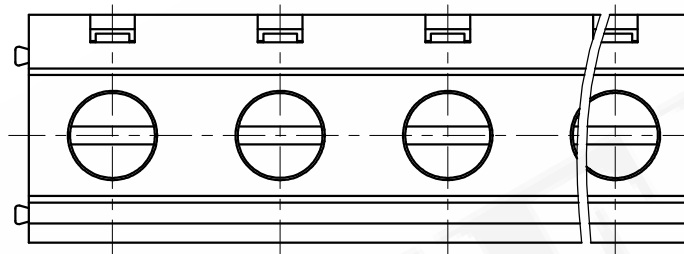
UL/CUL

SAFETY APPROVAL			
USE GROUP	B	C	D
RATED VOLTAGE (V)	300	-	300
RATED CURRENT (A)	16	-	10
WIRE RANGE	22-12		
SOLID/STRANDED (AWG)	22-12		
WITHSTANDING VOLTAGE	1600V (1MIN)		

IEC

SAFETY APPROVAL			
OVERVOLTAGE CATEGORY	III	III	II
CONTAMINATION CLASS	3	2	2
RATED VOLTAGE (V)	450	630	1000
RATED CURRENT (A)	20	20	20
IMPULSE WITHSTANDING VOLTAGE (KV)	6.0	6.0	6.0
CONDUCTOR CROSS SECTION SOLID/FLEXIBLE (mm ²)	0.5-2.5		

NO OF POLES TOTAL (02~24P) E:GREEN B:BAG



RECOMMENDED PCB LAYOUT
(PCB TOLERANCE ±0.05)

linear dimension (Tolerances Standard GB/T 14486-2008)		—		∕		⊥				
variable range	to 6	over 6 to 10	over 10 to 30	over 30 to 60	over 60 to 100	over 100 to 160	to 10	to 100	to 100	
tolerance	±0.20	±0.30	±0.50	±0.70	±1.00	±1.30	±1.60	0.10	0.30	0.60

	ECN-202601002	Oliver	2026/01/19
	REC2505000067 Revise the drawing	Gaby	2025/05/12
	ECN NO.: 240348 Revise the drawing	Gaby	2024/05/03
REV.	ECN NO. OR DESCRIPTION	REVISED	DATE

懌德精密有限公司
Amtek Technology Co., Ltd.
TEL: 886-2-2260-6878
FAX: 886-2-2260-8030

品名 TITLE	TERMINAL BLOCK PCB SCREW 7.50mm DIP V/T TYPE				頁數 Page	1/1
品號 PART NO.	5TS750S-128NXXXLX-01			繪圖 DRAWN	Mia	
圖號 DRAWING NO.	GN011-AL637	版本 REV.	E	核對 CHECKED	Jonny	
客戶品號 CUSTOMER P/N		比例 SCALE	None	承認 APPROVED	Aaron	
公差 TOLERANCE		單位 UNIT	mm	THIRD ANGLE PROJECTION		