

ORDER INFORMATION

5 T S 5 0 8 S - K 5 A N X X X L X - 0 1



MATERIAL

HOUSING: NYLON66, UL94V-0
 HEADER PIN: COPPER ALLOY, Sn PLATED
 CAGE: COPPER ALLOY, M2.5/Ni PLATED
 SCREW: STEEL, M2.5/Zn PLATED, TORQUE: 0.4N.m

MECHANICAL

OPERATING TEMPERATURE: -40°C~+105°C
 SOLDERING TEMPERATURE: 260°C/5S
 STRIPPING LENGTH: 6~7mm

TECHNICAL DATA

UL/CUL

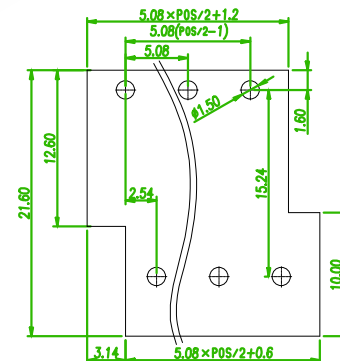
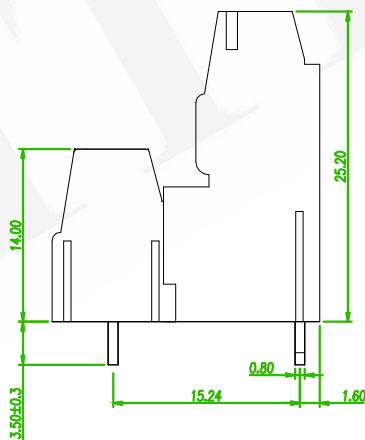
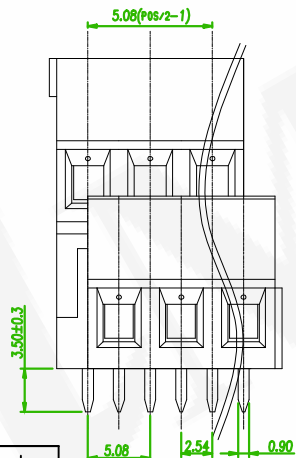
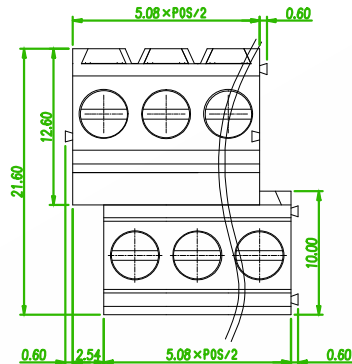
SAFETY APPROVAL			
USE GROUP	B	C	D
RATED VOLTAGE (V)	300	-	300
RATED CURRENT (A)	15	-	10
WIRE RANGE	30-14		
SOLID/STRANDED (AWG)	30-14		
WITHSTANDING VOLTAGE	1600V (1MIN)		

SAFETY APPROVAL			
OVERVOLTAGE CATEGORY	III	III	II
CONTAMINATION CLASS	3	2	2
RATED VOLTAGE (V)	250	400	630
RATED CURRENT (A)	24	24	24
IMPULSE WITHSTANDING VOLTAGE (KV)	4.0	4.0	4.0
CONDUCTOR CROSS SECTION SOLID/FLEXIBLE (mm ²)	0.5-2.5		

NO OF POLES TOTAL (04~50P)

E: GREEN

B: BAG



RECOMMENDED PCB LAOUT (PCB TOLERANCE ±0.05)

linear dimension (Tolerances Standard GB/T 14486-2008)										
variable range	to 6	over 6 to 10	over 10 to 30	over 30 to 60	over 60 to 100	over 100 to 160	over 160 to 10	over 10 to 100	over 100 to 100	
tolerance	±0.20	±0.30	±0.50	±0.70	±1.00	±1.30	±1.60	0.10	0.30	0.60

△	ECN-202601002	Oliver	2026/01/19
△	ECN NO:240348 REVISE THE DRAWING	Gaby	2024/11/28
△x1	ECN NO:200718 REVISE THE TOLERANCE	Alice	2020/12/10
REV.	ECN NO. OR DESCRIPTION	REVISED	DATE

糧德精密有限公司
 Amtek Technology Co., Ltd.
 TEL: 886-2-2260-6878
 FAX: 886-2-2260-8030

品名 TITLE	△ TERMINAL BLOCK PCB SCREW 5.08mm DIP V/T TYPE				頁數 Page	1/1
品號 PART NO.	△ 5TS508S-K5ANXXXLX-01				繪圖 DRAWN	Mia 2016/12/12
圖號 DRAWING NO.	GN011-MC132	版本 REV.	D	核對 CHECKED	Jonny 2016/12/12	
客戶品號 CUSTOMER P/N		比例 SCALE	None	承認 APPROVED	Aaron 2016/12/12	
公差 TOLERANCE		單位 UNIT	mm	THIRD ANGLE PROJECTION		