

**MECHANICAL**

STRIP LENGTH: 6-7mm  
TEMP. RANGE: -40°C ~ +105°C  
SOLDERING MAX: +260°C 5s

**MATERIAL**

HOUSING: PA66, UL94V-0  
SCREWS: M2.5 STEEL, TORQUE: 0.4N.m  
PIN: COPPER ALLOY, Sn PLATED  
CAGE: COPPER ALLOY, Ni PLATED

**ORDER INFORMATION**

5 T S 5 0 8 S - 1 2 8 N X X X L X - 0 1

508:  
PITCH 5.08mm

SERIES NO.

NO OF POLES TOTAL  
(02~24)

E:GREEN

B:BAG

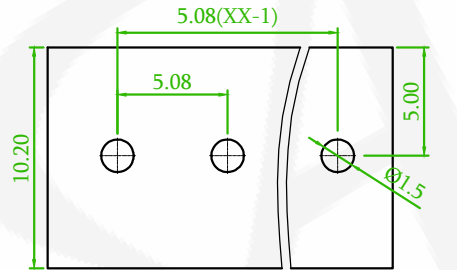
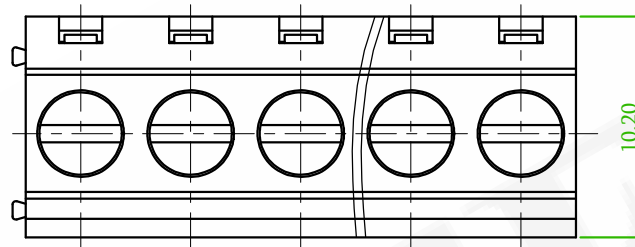
**TECHNICAL DATA** ⚠

UL/CUL

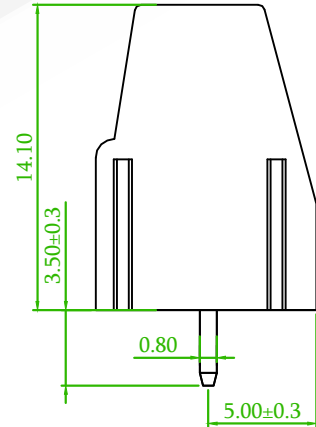
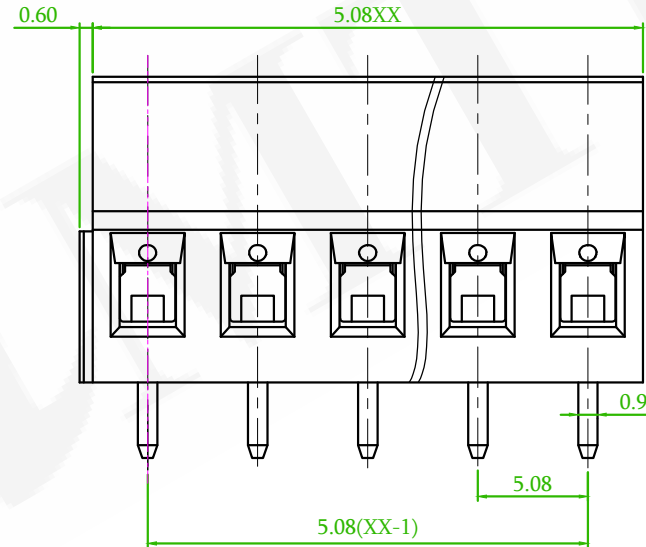
SAFETY APPROVAL			
USE GROUP	B	C	D
RATED VOLTAGE (V)	300	-	300
RATED CURRENT (A)	16	-	10
WIRE RANGE	22-12		
SOLID/STRANDED (AWG)			
WITHSTANDING VOLTAGE	1600V (1MIN)		

IEC **IEC60947-7-4**

OVERVOLTAGE CATEGORY	III	III	II
CONTAMINATION CLASS	3	2	2
RATED VOLTAGE (V)	250	400	630
RATED CURRENT (A)	24	24	24
IMPULSE WITHSTANDING VOLTAGE (KV)	4.0	4.0	4.0
CONDUCTOR CROSS SECTION SOLID/FLEXIBLE (mm <sup>2</sup> )	0.5-2.5		



RECOMMENDED PCB LAYOUT  
(PCB TOLERANCE ±0.05)



linear dimension (Tolerances Standard GB/T 14486-2008)							—	∕	⊥	
variable range	to 6	over 6 to 10	over 10 to 30	over 30 to 60	over 60 to 100	over 100 to 160	to 10	over 10 to 100	over 100 to	
tolerance	±0.20	±0.30	±0.50	±0.70	±1.00	±1.30	±1.60	0.10	0.30	0.60

⚠	ECN NO.: 240348 Revise the drawing	Gaby	2024/05/03
⚠x1	ECN NO.:200718 Revise the Tolerance	Alice	2020/12/08
REV.	ECN NO. OR DESCRIPTION	REVISED	DATE

糧德精密有限公司  
Amtek Technology Co., Ltd.  
TEL: 886-2-2260-6878  
FAX: 886-2-2260-8030

品名 TITLE	TERMINAL BLOCK PCB SCREW 5.08mm DIP V/T TYPE				頁數 Page	1/1
品號 PART NO.	5TS508S-128NXXXLX-01			繪圖 DRAWN	MIA 2017/02/08	
圖號 DRAWING NO.	GN116-MC260	版本 REV.	D	核對 CHECKED	JONNY 2017/02/08	
客戶品號 CUSTOMER P/N		比例 SCALE	None	承認 APPROVED	AARON 2017/02/08	
公差 TOLERANCE		單位 UNIT	mm	THIRD ANGLE PROJECTION		