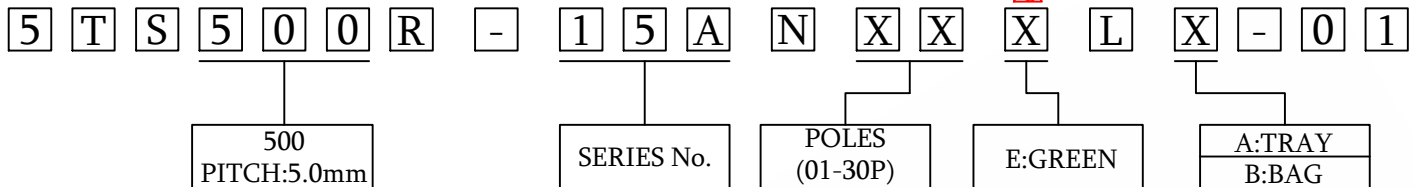


MATERIAL

HOUSING: NYLON66, UL94V-0
COVER: NYLON66, UL94V-0
SCREW: STEEL, M2.5/Zn PLATED, TORQUE: 0.4N.m
CLAMP: STEEL, Zn PLATED
CAGE: STEEL, M2.5/Zn PLATED
PIN: COPPER ALLOY, Sn PLATED

ORDER INFORMATION



MECHANICAL

OPERATING TEMPERATURE: -40°C~+105°C
STRIPPING LENGTH: 12~13mm

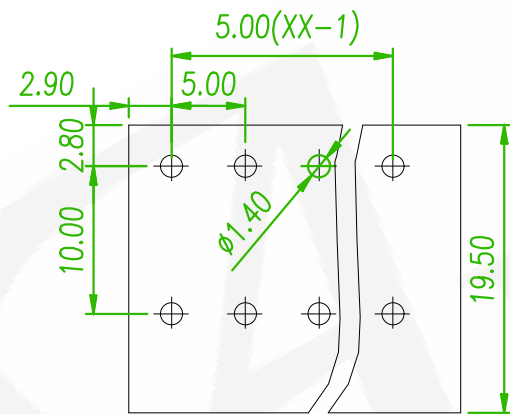
TECHNICAL DATA

UL/CUL

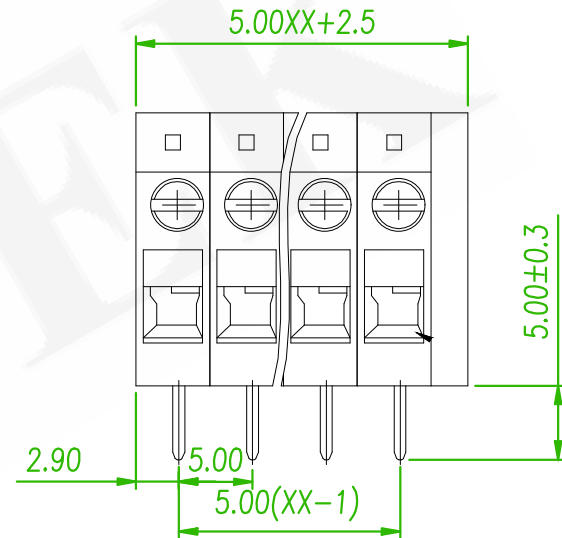
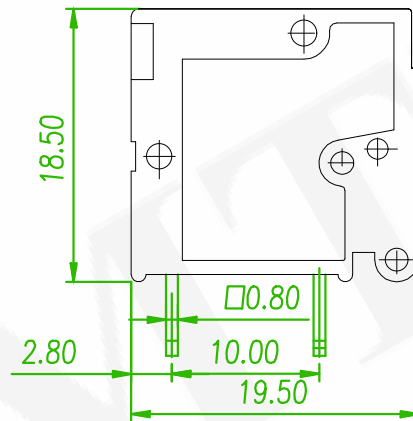
SAFETY APPROVAL			
USE GROUP	B	C	D
RATED VOLTAGE (V)	300	-	300
RATED CURRENT (A)	20	-	10
WIRE RANGE	26-12		
SOLID/STRANDED (AWG)			
WITHSTANDING VOLTAGE	1600V (1MIN)		

IEC

OVERVOLTAGE CATEGORY	III	III	II
CONTAMINATION CLASS	3	2	2
RATED VOLTAGE (V)	250	400	630
RATED CURRENT (A)	24	24	24
IMPULSE WITHSTANDING VOLTAGE (KV)	4.0	4.0	4.0
CONDUCTOR CROSS SECTION	0.5-2.5		
SOLID/FLEXIBLE (mm ²)			



RECOMMENDED PCB LAOUT
(PCB TOLERANCE ±0.05)



linear dimension (Tolerances Standard GB/T 14486-2008)								—	∕	⊥
variable range	to 6	over 6 to 10	over 10 to 30	over 30 to 60	over 60 to 100	over 100 to 160	over 160 to	to 10	to 100	to 100
tolerance	±0.20	±0.30	±0.50	±0.70	±1.00	±1.30	±1.60	0.10	0.30	0.60

△	ECN NO:240348 Revise the drawing	Gaby	2025/02/12
△x1	ECN NO:200718 Revise the Tolerance	Alice	2020/12/07
REV.	ECN NO. OR DESCRIPTION	REVISED	DATE

 糧德精密有限公司 Amtek Technology Co., Ltd. TEL: 886-2-2260-6878 FAX: 886-2-2260-8030	品名 TITLE	TERMINAL BLOCK PCB SCREW 5.0mm DIP R/A TYPE			頁數 Page	1/1
	品號 PART NO.	5TS500R-15ANXXLX-01			繪圖 DRAWN	ERIC 2018/11/23
	圖號 DRAWING NO.	GN011-EA086	版本 REV.	C	核對 CHECKED	JOSH 2018/11/23
	客戶品號 CUSTOMER P/N		比例 SCALE	None	承認 APPROVED	JASON 2018/11/23
	公差 TOLERANCE		單位 UNIT	mm	第三 ANGLE PROJECTION	