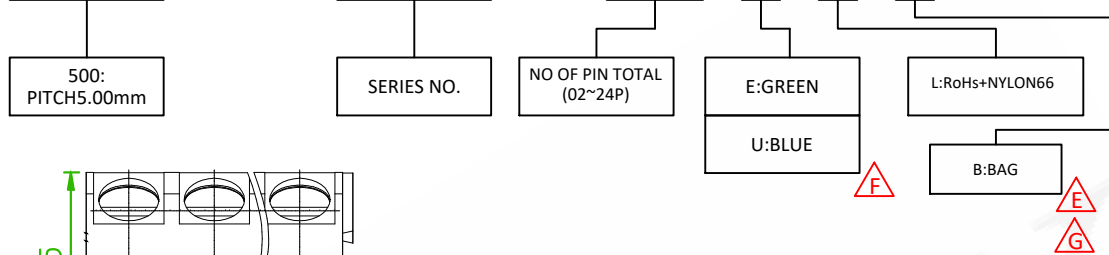


**MATERIAL** △<sub>D</sub>

HOUSING: NYLON66, UL94V-0  
 CAGE: COPPER ALLOY, M2.5/Ni PLATED  
 SCREW: STEEL, M2.5, TORQUE: 0.4N.m  
 PIN: COPPER ALLOY, Sn PLATED

**ORDER INFORMATION**

5 T S 5 0 0 L - 3 3 0 N X X X L X - 0 1



**MECHANICAL**

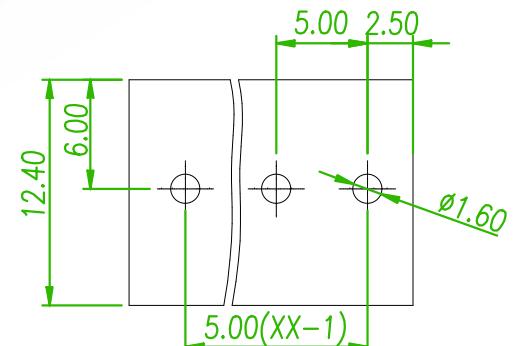
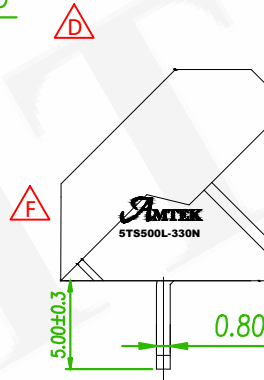
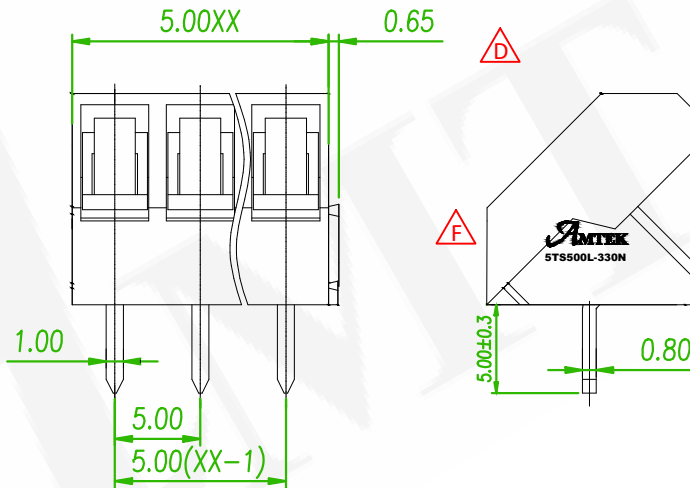
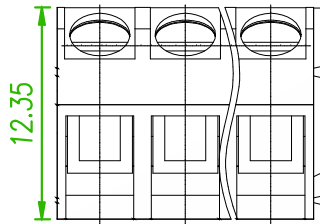
OPERATING TEMPERATURE: -40°C~+105°C  
 SOLDERING TEMPERATURE: 260°C/5S  
 STRIPPING LENGTH: 4.5~5mm

**TECHNICAL DATA** △<sub>D</sub>

SAFETY APPROVAL			
USE GROUP	B	C	D
RATED VOLTAGE (V)	300	-	-
RATED CURRENT (A)	15	-	-
WIRE RANGE	28-14		
SOLID/STRANDED (AWG)			
WITHSTANDING VOLTAGE	1600V (1MIN)		

IEC

SAFETY APPROVAL			
OVERVOLTAGE CATEGORY	III	III	II
CONTAMINATION CLASS	3	2	2
RATED VOLTAGE (V)	250	400	630
RATED CURRENT (A)	24	24	24
IMPULSE WITHSTANDING VOLTAGE (KV)	4.0	4.0	4.0
CONDUCTOR CROSS SECTION SOLID/FLEXIBLE (mm <sup>2</sup> )	0.5-2.5		



RECOMMENDED PCB LAYOUT  
(PCB TOLERANCE ±0.05)



linear dimension (Tolerances Standard GB/T 14486-2008)								—	▱	⊥
variable range	to 6	over 6 to 10	over 10 to 30	over 30 to 60	over 60 to 100	over 100 to 160	over 160 to 10	over 10 to 100	over 100 to	
tolerance	±0.20	±0.30	±0.50	±0.70	±1.00	±1.30	±1.60	0.10	0.30	0.60

<span style="color:red">△</span> <sub>G</sub>	ECN-202510044 Revise the drawing	Gaby	2025/11/10
<span style="color:red">△</span> <sub>F</sub>	REC2505000122 Revise the drawing	Gaby	2025/05/27
<span style="color:red">△</span> <sub>E</sub>	REC2505000071 Revise the drawing	Gaby	2025/05/13
REV.	ECN NO. OR DESCRIPTION	REVISED	DATE

糧德精密有限公司  
Amtek Technology Co., Ltd.  
TEL: 886-2-2260-6878  
FAX: 886-2-2260-8030

品名 TITLE	TERMINAL BLOCK PCB SCREW 5.00mm				頁數 Page	1/1
品號 PART NO.	5TS500L-330NXXXLX-01				繪圖 DRAWN	MIA 2016/08/30
圖號 DRAWING NO.	GN011-MC659	版本 REV.	G	核對 CHECKED	JONNY 2016/08/30	
客戶品號 CUSTOMER P/N		比例 SCALE	None	承認 APPROVED	AARON 2016/08/30	
公差 TOLERANCE		單位 UNIT	mm	THIRD ANGLE PROJECTION		