
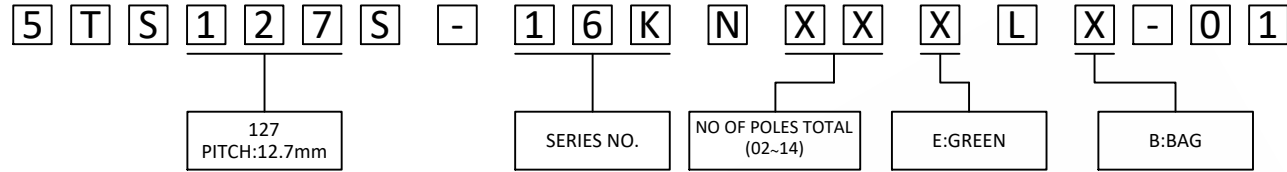



**MATERIAL**   
 HOUSING: NYLON66, UL94V-0  
 CLAPBOARD: NYLON66, UL94V-0  
 CAGE: COPPER ALLOY, M4/Ni PLATED  
 SCREW: STEEL, M4, TORQUE: 1.2N.m  
 PIN: COPPER ALLOY, Sn PLATED

**ORDER INFORMATION**




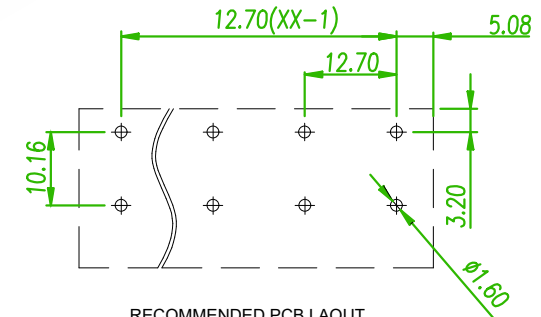
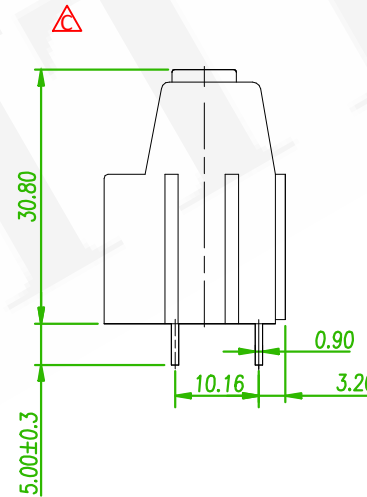
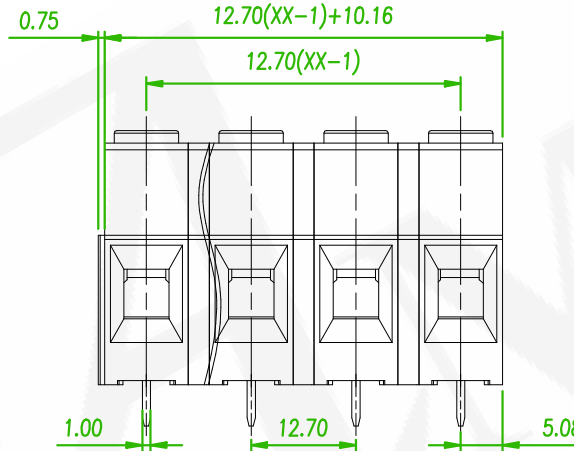
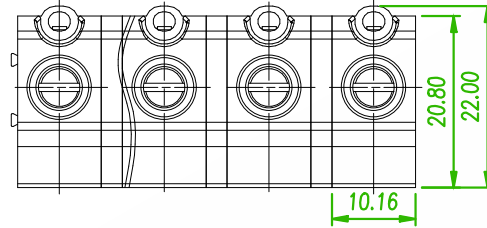
**MECHANICAL**  
 OPERATING TEMPERATURE: -40°C~+105°C  
 SOLDERING TEMPERATURE: 260°C/5S  
 STRIPPING LENGTH: 10mm

**TECHNICAL DATA**   
 UL/CUL

SAFETY APPROVAL			
USE GROUP	B	C	D
RATED VOLTAGE (V)	600	600	600
RATED CURRENT (A)	65	65	5
WIRE RANGE	20-6		
SOLID/STRANDED (AWG)	20-6		
WITHSTANDING VOLTAGE	2200V (1MIN)		

IEC



SAFETY APPROVAL			
OVERVOLTAGE CATEGORY	III	III	II
CONTAMINATION CLASS	3	2	2
RATED VOLTAGE (V)	630	1000	1000
RATED CURRENT (A)	76	76	76
IMPULSE WITHSTANDING VOLTAGE (KV)	8.0	8.0	8.0
CONDUCTOR CROSS SECTION SOLID/FLEXIBLE (mm <sup>2</sup> )	2.5-16		




RECOMMENDED PCB LAOUT  
 (PCB TOLERANCE ±0.05)



linear dimension (Tolerances Standard GB/T 14486-2008)										
variable range	to 6	over 6 to 10	over 10 to 30	over 30 to 60	over 60 to 100	over 100 to 160	to 10	over 10 to 100	over 100	
tolerance	±0.20	±0.30	±0.50	±0.70	±1.00	±1.30	±1.60	0.10	0.30	0.60

	ECN NO:240348 Revise the drawing	Gaby	2024/08/01
	ECN NO:200718 Revise the Tolerance	Alice	2020/12/04
REV.	ECN NO. OR DESCRIPTION	REVISED	DATE



糧德精密有限公司  
 Amtek Technology Co., Ltd.  
 TEL: 886-2-2260-6878  
 FAX: 886-2-2260-8030

品名 TITLE	TERMINAL BLOCK PCB SCREW 12.7mm DIP V/T TYPE				頁數 Page	1/1
品號 PART NO.	5TS127S-16KNXXLX-01			繪圖 DRAWN	Roy 2018/04/24	
圖號 DRAWING NO.	GN011-RR431	版本 REV.	C	核對 CHECKED	JOSH 2018/04/24	
客戶品號 CUSTOMER P/N		比例 SCALE	None	承認 APPROVED	Jason 2018/04/24	
公差 TOLERANCE		單位 UNIT	mm	THIRD ANGLE PROJECTION	