

ORDER INFORMATION

MATERIAL

HOUSING: NYLON66, UL94V-0
CAGE: COPPER ALLOY, M4/Ni PLATED
SCREW: STEEL, M4, TORQUE: 1.2N.m
PIN: COPPER ALLOY, Sn PLATED

5 T S 1 0 1 S - 1 6 K N X X X L X - 0 1

101
PITCH: 10.16mm

SERIES NO.

NO OF POLES TOTAL
(01~14)

E: GREEN

B: BAG

MECHANICAL

OPERATING TEMPERATURE: -40°C~+105°C
SOLDERING TEMPERATURE: 260°C/5S
STRIPPING LENGTH: 10mm

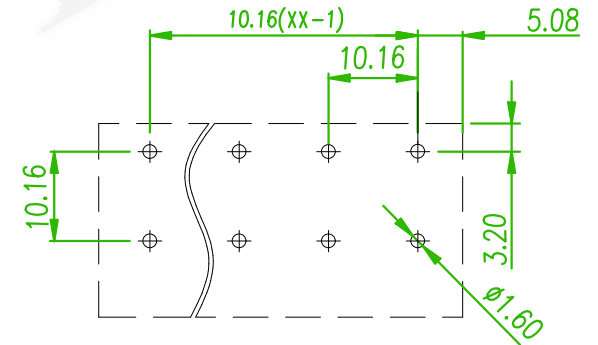
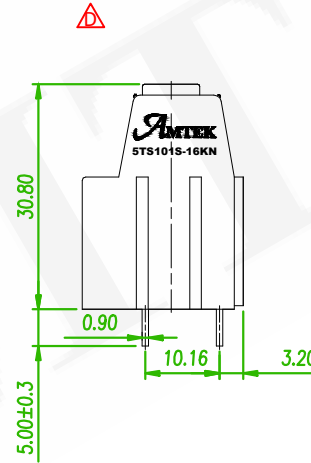
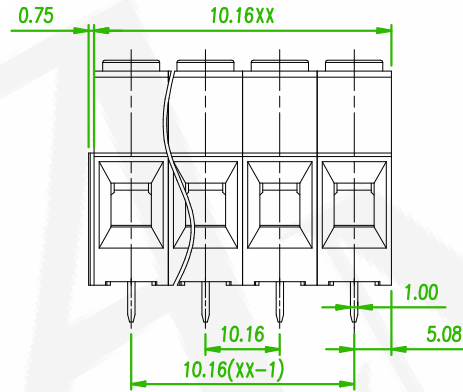
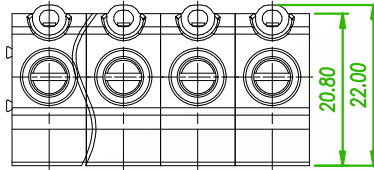
TECHNICAL DATA

UL/CUL

SAFETY APPROVAL			
USE GROUP	B	C	D
RATED VOLTAGE (V)	600	600	600
RATED CURRENT (A)	65	65	5
WIRE RANGE	20-6		
SOLID/STRANDED (AWG)			
WITHSTANDING VOLTAGE	2200V (1MIN)		

IEC

SAFETY APPROVAL			
OVERVOLTAGE CATEGORY	III	III	II
CONTAMINATION CLASS	3	2	2
RATED VOLTAGE (V)	630	1000	1000
RATED CURRENT (A)	76	76	76
IMPULSE WITHSTANDING VOLTAGE (KV)	8.0	8.0	8.0
CONDUCTOR CROSS SECTION	2.5-16		
SOLID/FLEXIBLE (mm ²)			



RECOMMENDED PCB LAYOUT
(PCB TOLERANCE ±0.05)

linear dimension (Tolerances Standard GB/T 14486-2008)							— ▯ ⊥			
variable range	to 6	over 6 to 10	over 10 to 30	over 30 to 60	over 60 to 100	over 100 to 160	to 10	over 10 to 100	over 100 to	
tolerance	±0.20	±0.30	±0.50	±0.70	±1.00	±1.30	±1.60	0.10	0.30	0.60

△	ECN NO:240348 Revise the drawing	Gaby	2024/07/31
△x1	ECN NO:210508 Add the LOGO	David	2021/06/14
△x1	ECN NO:200718 Revise the Tolerance	Alice	2020/12/04
REV.	ECN NO. OR DESCRIPTION	REVISED	DATE

糧德精密有限公司
Amtek Technology Co., Ltd.
TEL: 886-2-2260-6878
FAX: 886-2-2260-8030

品名 TITLE	TERMINAL BLOCK PCB SCREW 10.16mm DIP V/T TYPE				頁數 Page	1/1
品號 PART NO.	5TS101S-16KNXXXLX-01			繪圖 DRAWN	MIA 2018/06/28	
圖號 DRAWING NO.	GN011-MD246	版本 REV.	D	核對 CHECKED	JOSH 2018/06/28	
客戶品號 CUSTOMER P/N		比例 SCALE	None	承認 APPROVED	JASON 2018/06/28	
公差 TOLERANCE		單位 UNIT	mm	THIRD ANGLE PROJECTION		