

**MATERIAL**  
 HOUSING: NYLON66, UL94V-0  
 PIN: COPPER ALLOY, Sn PLATED

# ORDER INFORMATION

5 T R 7 5 0 L - 4 T 3 N X X X L X - 0 1

**MECHANICAL**  
 OPERATING TEMPERATURE: -40°C~+105°C  
 STRIPPING LENGTH: 5~6mm

750  
 PITCH: 7.50mm

SERIES No.

NO OF POLES  
 (06~48P)

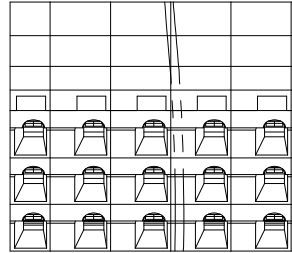
G: GRAY

A: TRAY  
 B: BAG

**TECHNICAL DATA**

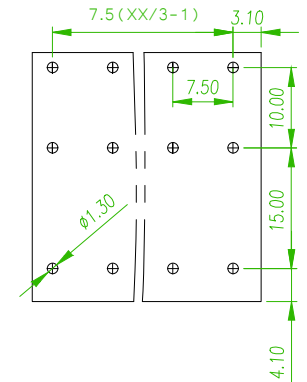
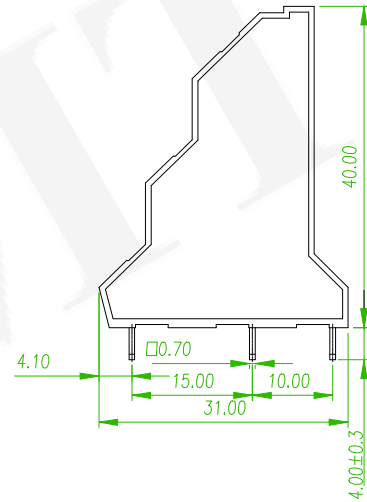
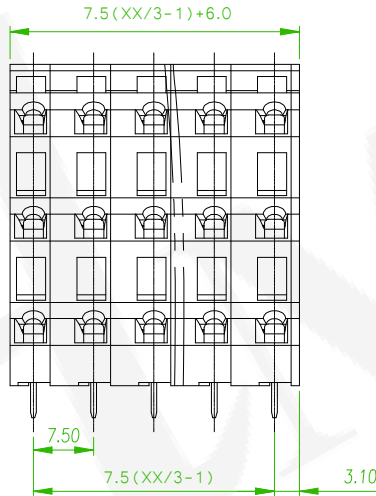
UL/CUL

SAFETY APPROVAL			
USE GROUP	B	C	D
RATED VOLTAGE (V)	300	-	300
RATED CURRENT (A)	10	-	10
WIRE RANGE	28-12		
SOLID/STRADED (AWG)			
WITHSTANDING VOLTAGE	1600V (1MIN)		



IEC **IEC60947-7-4**

OVERVOLTAGE CATEGORY	III	III	II
CONTAMINATION CLASS	3	2	2
RATED VOLTAGE (V)	400	630	1000
RATED CURRENT (A)	21	21	21
IMPULSE WITHSTANDING VOLTAGE (KV)	6.0	6.0	6.0
CONDUCTOR CROSS SECTION	0.5-2.5		
SOLID/FLEXIBLE (mm <sup>2</sup> )			



RECOMMENDED PCB LAOUT  
 (PCB TOLERANCE ±0.05)



linear dimension(Tolerances Standard GB/T 14486-2008)								—		
variable range	to 6	over 6 to 10	over 10 to 30	over 30 to 60	over 60 to 100	over 100 to 160	over 160 to 10	over 10 to 100	over 100 to 100	
tolerance	±0.20	±0.30	±0.50	±0.70	±1.00	±1.60	0.10	0.30	0.60	

	ECN NO:240824 Revise the drawing	Benson	2024/10/15
	ECN NO:230714 Revise the PART NO.	Randy	2023/09/23
	ECN NO:220814 Revise the PART NO.	Tim	2022/09/16
REV.	ECN NO. OR DESCRIPTION	REVISED	DATE

**糧德精密有限公司**  
 Amtek Technology Co., Ltd.  
 TEL: 886-2-2260-6878  
 FAX: 886-2-2260-8030

品名 TITLE	TERMINAL BLOCK PCB SPRING 7.50mm DIP ANGLED TYPE				頁數 Page	1/1
品號 PART NO.	5TR750L-4T3NXXXLX-01			繪圖 DRAWN	Eric 2018/12/26	
圖號 DRAWING NO.	GN011-EA394	版本 REV.	F	核對 CHECKED	Josh 2018/12/26	
客戶品號 CUSTOMER P/N		比例 SCALE	None	承認 APPROVED	Jason 2018/12/26	
公差 TOLERANCE		單位 UNIT	mm	THIRD ANGLE PROJECTION		