

MATERIAL

HOUSING: NYION 66, UL94V-0
 CONTACTOR: COPPER ALLOY, TIN PLATED
 STRIPPING LENGTH: 5-6mm

SPECIFICATION

OPERATING TEMPERATURE: -40°C~105°C

TECHNICAL DATA

UL/CUL UL1059

USE GROUP	B	C	D
RATED VOLTAGE (V)	150	-	-
RATED CURRENT (A)	4	-	-
WIRE RANGE SOLID/STRANDED (AWG)	28-20		
WITHSTANDING VOLTAGE	1300V (1MIN)		

IEC IEC60947-7-4

OVERVOLTAGE CATEGORY	III	III	II
CONTAMINATION CLASS	3	2	2
RATED VOLTAGE (V)	63	160	320
RATED CURRENT (A)	6	6	6
IMPULSE WITHSTANDING VOLTAGE (KV)	2.5	2.5	2.5
CONDUCTOR CROSS SECTION SOLID/FLEXIBLE (mm ²)	0.2-0.5		

ORDER INFORMATION

5 T R 2 5 4 L - 2 1 3 N X X X L X - 0 1

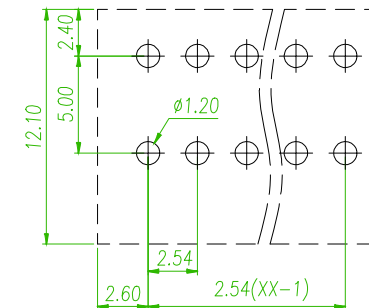
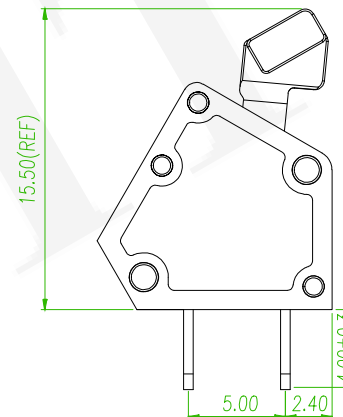
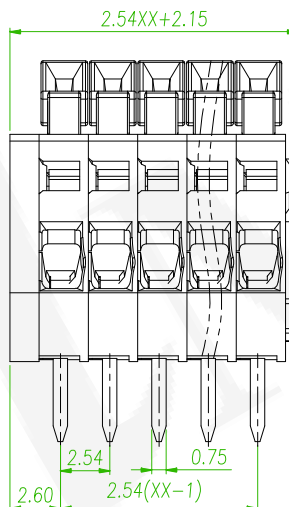
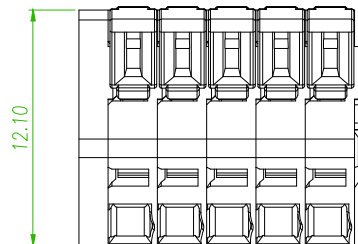
254:
PITCH2.54mm

SERIES NO.

A
NO OF POLES
(01~30)

O:ORANGE

A:TRAY



RECOMMENDED PCB LAYOUT
(PCB TOLERANCE ±0.05)



linear dimension(Tolerances Standard GB/T 14486-2008)									
variable range	to 6	over 6 to 10	over 10 to 30	over 30 to 60	over 60 to 100	over 100 to 160	to 10	over 10 to 100	over 100 to 1000
tolerance	±0.20	±0.30	±0.50	±0.70	±1.00	±1.30	±1.60	0.10	0.30

A	ECN NO.240824 Revise the drawing	Benson	2024/10/01
A	EasyFlow No.:202401240001	Randy	2024/03/07
REV.	ECN NO. OR DESCRIPTION	REVISED	DATE



糧德精密有限公司
 Amtek Technology Co., Ltd.
 TEL: 886-2-2260-6878
 FAX: 886-2-2260-8030

品名 TITLE	TERMINAL BLOCK PCB SPRING 2.54mm DIP ANGLED TYPE			頁數 Page	1/1
品號 PART NO.	5TR254L-213NXXXLX-01		繪圖 DRAWN	Randy 2024/03/07	
圖號 DRAWING NO.	GN011-RD348	版本 REV.	B	核對 CHECKED	Josh 2024/03/07
客戶品號 CUSTOMER P/N		比例 SCALE	1:1	承認 APPROVED	Josh 2024/03/07
公差 TOLERANCE		單位 UNIT	mm	THIRD ANGLE PROJECTION	