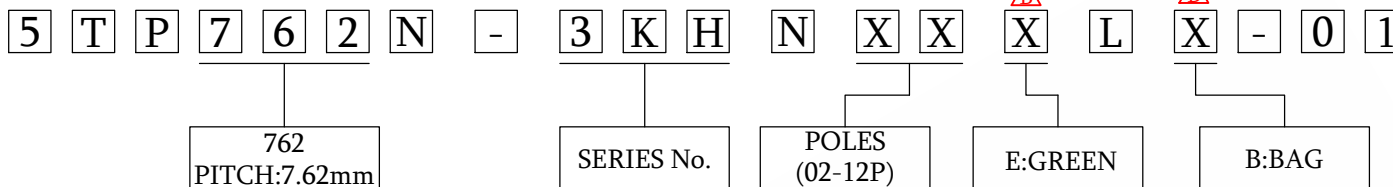


MATERIAL

HOUSING: NYLON66, UL94V-0
 PIN: COPPER ALLOY, Sn PLATED
 SCREW: M3, TORQUE: 0.5N.m

ORDER INFORMATION



MECHANICAL

OPERATING TEMPERATURE: -40°C~+105°C
 STRIPPING LENGTH: 10mm

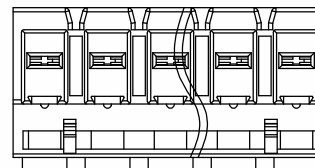
TECHNICAL DATA

UL/CUL

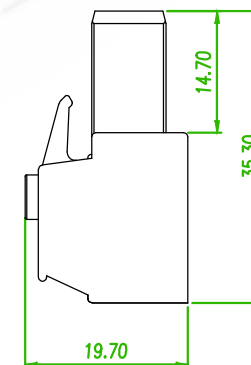
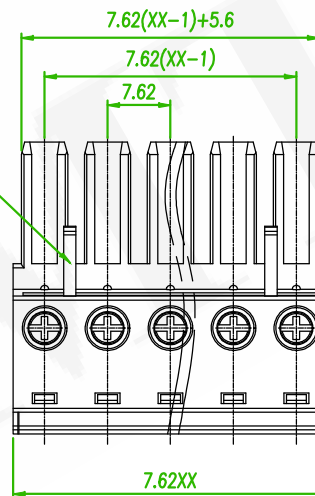
SAFETY APPROVAL			
USE GROUP	B	C	D
RATED VOLTAGE (V)	300	-	300
RATED CURRENT (A)	41	-	10
WIRE RANGE SOLID/STRANDED (AWG)	24-8		
WITHSTANDING VOLTAGE	1600V (1MIN)		

IEC IEC61984

OVERVOLTAGE CATEGORY	III	III	II
CONTAMINATION CLASS	3	2	2
RATED VOLTAGE (V)	1000	1000	1000
RATED CURRENT (A)	41	41	41
IMPULSE WITHSTANDING VOLTAGE (KV)	8.0	8.0	6.0
CONDUCTOR CROSS SECTION SOLID/FLEXIBLE (mm ²)	0.2-6.0		



FOR 2 PINS,
 ONLY THIS ONE IS AVAILABLE



linear dimension (Tolerances Standard GB/T 14486-2008)									
variable range	to 6	over 6 to 10	over 10 to 30	over 30 to 60	over 60 to 100	over 100 to 160	over 160 to 10	over 10 to 100	over 100 to 100
tolerance	±0.20	±0.30	±0.50	±0.70	±1.00	±1.30	±1.60	0.10	0.30

	ECN NO.240348 Revise the drawing	Gaby	2025/02/03
REV.	ECN NO. OR DESCRIPTION	REVISED	DATE

糧德精密有限公司
 Amtek Technology Co., Ltd.
 TEL: 886-2-2260-6878
 FAX: 886-2-2260-8030

品名 TITLE	TERMINAL BLOCK PLUGGABLE 7.62mm				頁數 Page	1/1
品號 PART NO.	5TP762N-3KHNXXLX-01			繪圖 DRAWN	DANIEL 2019/07/19	
圖號 DRAWING NO.	GN011-DA257	版本 REV.	B	核對 CHECKED	JOSH 2019/07/19	
客戶品號 CUSTOMER P/N		比例 SCALE	None	承認 APPROVED	JOSH 2019/07/19	
公差 TOLERANCE		單位 UNIT	mm	THIRD ANGLE PROJECTION		