

ORDER INFORMATION

MATERIAL
HOUSING: NYLON66, UL94V-0
COVER: NYLON66, UL94V-0
CLAMP: COPPER ALLOY, Sn PLATED
BLOCK: STEEL, Zn PLATED
CAGE: STEEL, M2.5/Zn PLATED
SCREW: STEEL, M2.5/Zn PLATED, TORQUE: 0.4N.m

5 T P 5 0 8 N - 2 K C N X X X L X - 0 1

◎: STANDARD RECOMMEND

508:
PITCH 5.08mm

SERIES No.

NO OF PINS TOTAL
(02~24)

G: GRAY
◎: GREEN

X: BOX

MECHANICAL
OPERATING TEMPERATURE: -40°C~+105°C
STRIPPING LENGTH: 9~10mm

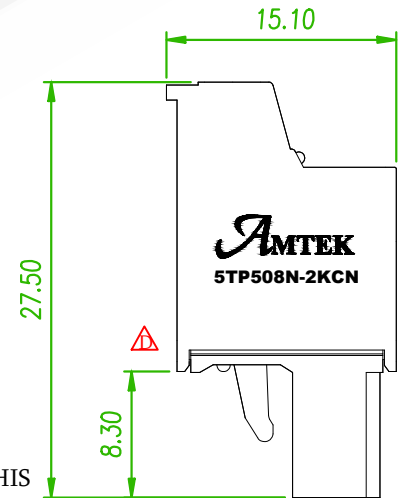
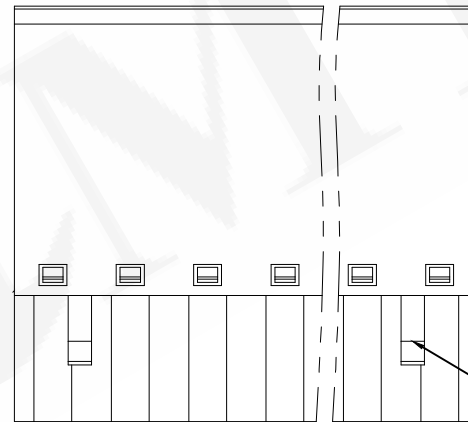
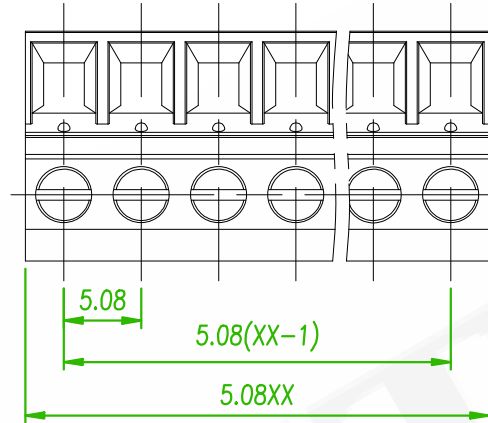
TECHNICAL DATA ⚠

UL/CUL

SAFETY APPROVAL			
USE GROUP	B	C	D
RATED VOLTAGE (V)	300	-	300
RATED CURRENT (A)	15	-	10
WIRE RANGE SOLID/STRANDED (AWG)	28-12		
WITHSTANDING VOLTAGE	1600V (1MIN)		

IEC

OVERVOLTAGE CATEGORY	III	III	II
CONTAMINATION CLASS	3	2	2
RATED VOLTAGE (V)	250	320	630
RATED CURRENT (A)	15	15	15
IMPULSE WITHSTANDING VOLTAGE (KV)	4.0	4.0	4.0
CONDUCTOR CROSS SECTION SOLID/FLEXIBLE (mm ²)	0.2-2.5		



FOR 2PINS, ONLY THIS ONE IS AVAILABLE ⚠

linear dimension (Tolerances Standard GB/T 14486-2008)								—	▯	⊥
variable range	to 6	over 6 to 10	over 10 to 30	over 30 to 60	over 60 to 100	over 100 to 160	over 160 to 10	over 10 to 100	over 100 to 100	
tolerance	±0.20	±0.30	±0.50	±0.70	±1.00	±1.30	±1.60	0.10	0.30	0.60

⚠	REC N2503000022	Gaby	2025/03/05
⚠	BPM 20241225007/ECN NO:240348 Revise the drawing	Gaby	2024/12/26
⚠x1	ECN NO:200718 Revise the Tolerance	Alice	2020/09/18
REV.	ECN NO. OR DESCRIPTION	REVISED	DATE

懋德精密有限公司
Amtek Technology Co., Ltd.
TEL: 886-2-2260-6878
FAX: 886-2-2260-8030

品名 TITLE	TERMINAL BLOCK PLUGGABLE 5.08mm				頁數 Page	1/1
品號 PART NO.	5TP508N-2KCNXXXLX-01				繪圖 DRAWN	Roy 2018/05/29
圖號 DRAWING NO.	GN011-RR526	版本 REV.	D	核對 CHECKED	JOSH 2018/05/29	
客戶品號 CUSTOMER P/N		比例 SCALE	None	承認 APPROVED	Jason 2018/05/29	
公差 TOLERANCE		單位 UNIT	mm	THIRD ANGLE PROJECTION		