

RoHS COMPLIANT

# ORDER INFORMATION

AMTEK 懋德  
2026.04.23  
Released DCC

## MATERIAL

HOUSING: NYLON66, UL94V-0  
PIN: COPPER ALLOY, Sn PLATED  
NUT: COPPER ALLOY, M3/Zn PLATED

5 T P 1 0 1 R - 3 R M E X X X L X - W 1

101  
PITCH: 10.16mm

SERIES No.

POLES  
(02-16P)

E: GREEN

A: TRAY  
B: BAG

## MECHANICAL

OPERATING TEMPERATURE: -40°C ~ +105°C  
SOLDERING TEMPERATURE: 260°C/5S

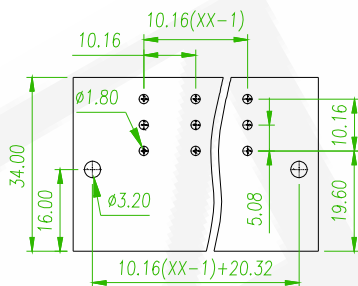
## TECHNICAL DATA

UL/CUL

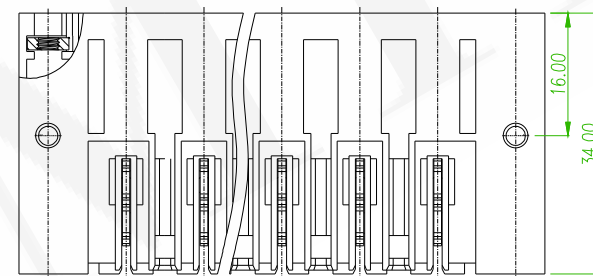
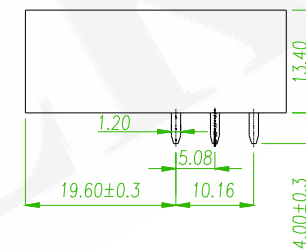
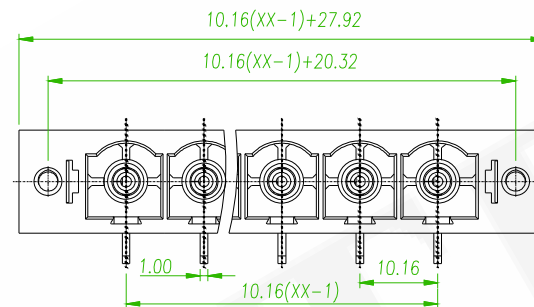
SAFETY APPROVAL			
USE GROUP	B	C	D
RATED VOLTAGE (V)	300	300	300
RATED CURRENT (A)	55	55	10
WIRE RANGE	-		
SOLID/STRANDED (AWG)	-		
WITHSTANDING VOLTAGE	1600V (1MIN)		

IEC61984

OVERVOLTAGE CATEGORY	III	III	II
CONTAMINATION CLASS	3	2	2
RATED VOLTAGE (V)	1000	1000	1000
RATED CURRENT (A)	76	76	76
IMPULSE WITHSTANDING VOLTAGE (KV)	8.0	8.0	6.0
CONDUCTOR CROSS SECTION	-		
SOLID/FLEXIBLE (mm <sup>2</sup> )	-		



RECOMMENDED PCB LAOUT  
(PCB TOLERANCE ±0.05)



⚠

linear dimension (Tolerances Standard GB/T 14486-2008)

		over 6	over 10	over 30	over 60	over 100	over 160		over 10	over 100
variable range	to 6	to 10	to 30	to 60	to 100	to 160	to 10	to 100	to 10	to 100
tolerance	±0.20	±0.30	±0.50	±0.70	±1.00	±1.30	±1.60	0.10	0.30	0.60

⚠	ECN-202604012	Alice	2026/04/23
⚠	ECN NO:240348 Revise the drawing	Gaby	2024/11/19
⚠	ECN NO:230714 Revise the PART NO.	Gaby	2023/09/21
REV.	ECN NO. OR DESCRIPTION	REVISED	DATE

懋德精密有限公司  
Amtek Technology Co., Ltd.  
TEL: 886-2-2260-6878  
FAX: 886-2-2260-8030

品名 TITLE	TERMINAL BLOCK PLUGGABLE 10.16mm DIP R/A TYPE				頁數 Page	1/1
品號 PART NO.	⚠ 5TP101R-3RMEXXXLX-W1 ⚠			繪圖 DRAWN	Eric 2018/12/11	
圖號 DRAWING NO.	GN011-EA247	版本 REV.	F	核對 CHECKED	Josh 2018/12/11	
客戶品號 CUSTOMER P/N		比例 SCALE	None	承認 APPROVED	Jason 2018/12/11	
公差 TOLERANCE		單位 UNIT	mm	THIRD ANGLE PROJECTION		