

MATERIAL
 HOUSING: NYLON66, UL94V-0
 PIN: COPPER ALLOY, Sn PLATED
 NUT: COPPER ALLOY, M3/Zn PLATED

ORDER INFORMATION

5 T P 1 0 1 R - 3 E M E X X X L X - 0 1

101
PITCH: 10.16mm

SERIES No.

POLES
(02-16P)

E: GREEN

A: TRAY
B: BAG



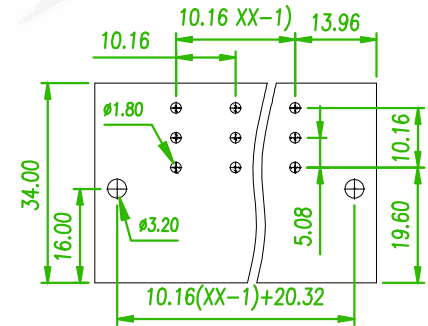
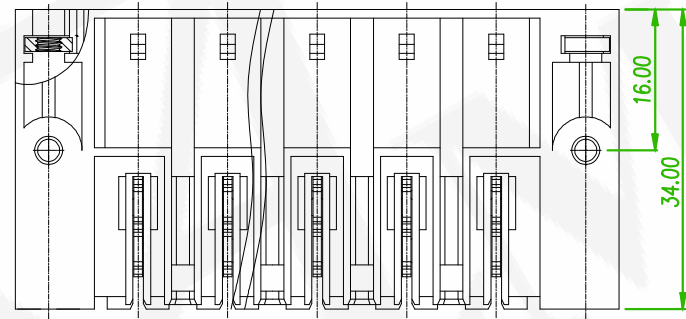
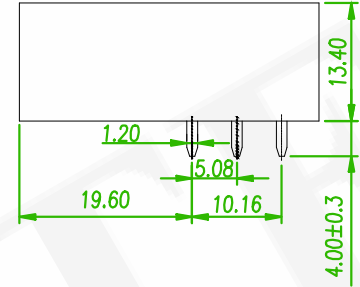
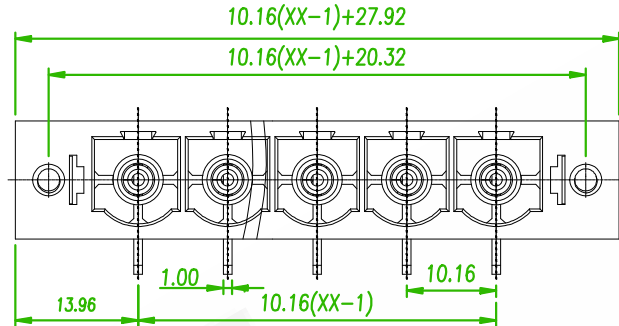
MECHANICAL
 OPERATING TEMPERATURE: -40°C~+105°C
 SOLDERING TEMPERATURE: 260°C/5S

TECHNICAL DATA ⚠
 UL/CUL

SAFETY APPROVAL			
USE GROUP	B	C	D
RATED VOLTAGE (V)	300	300	300
RATED CURRENT (A)	55	55	10
WIRE RANGE	-		
SOLID/STRANDED (AWG)	-		
WITHSTANDING VOLTAGE	1600V (1MIN)		

IEC61984

OVERVOLTAGE CATEGORY	III	III	II
CONTAMINATION CLASS	3	2	2
RATED VOLTAGE (V)	1000	1000	1000
RATED CURRENT (A)	76	76	76
IMPULSE WITHSTANDING VOLTAGE (KV)	8.0	8.0	6.0
CONDUCTOR CROSS SECTION	-		
SOLID/FLEXIBLE (mm ²)	-		



RECOMMENDED PCB LAOUT
(PCB TOLERANCE ±0.05)

linear dimension (Tolerances Standard GB/T 14486-2008)								—		
variable range	to 6	over 6 to 10	over 10 to 30	over 30 to 60	over 60 to 100	over 100 to 160	over 160 to 10	over 10 to 100	over 100 to 100	
tolerance	±0.20	±0.30	±0.50	±0.70	±1.00	±1.30	±1.60	0.10	0.30	0.60

⚠	ECN NO:240348 Revise the drawing	Gaby	2024/11/19
⚠	ECN NO:230714 Revise the PART NO.	Gaby	2023/09/21
⚠x2	ECN NO:201215 Revise the PART NO.	Alice	2020/12/30
REV.	ECN NO. OR DESCRIPTION	REVISED	DATE

糧德精密有限公司
Amtek Technology Co., Ltd.
TEL: 886-2-2260-6878
FAX: 886-2-2260-8030

品名 TITLE	TERMINAL BLOCK PLUGGABLE 10.16mm DIP R/A TYPE			頁數 Page	1/1
品號 PART NO.	5TP101R-3EMEXXXLX-01			繪圖 DRAWN	ERIC 2018/12/11
圖號 DRAWING NO.	GN011-EA246	版本 REV.	E	核對 CHECKED	JOSH 2018/12/11
客戶品號 CUSTOMER P/N		比例 SCALE	None	承認 APPROVED	JASON 2018/12/11
公差 TOLERANCE		單位 UNIT	mm	THIRD ANGLE PROJECTION	