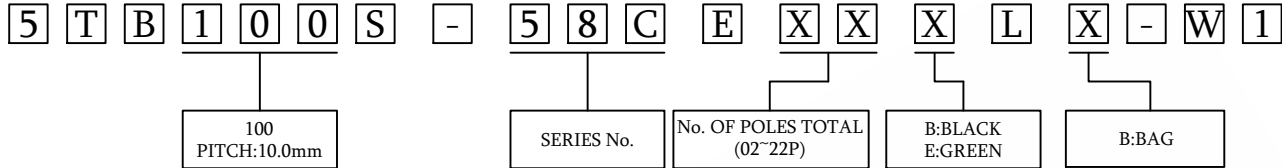


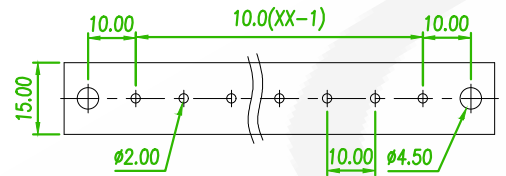
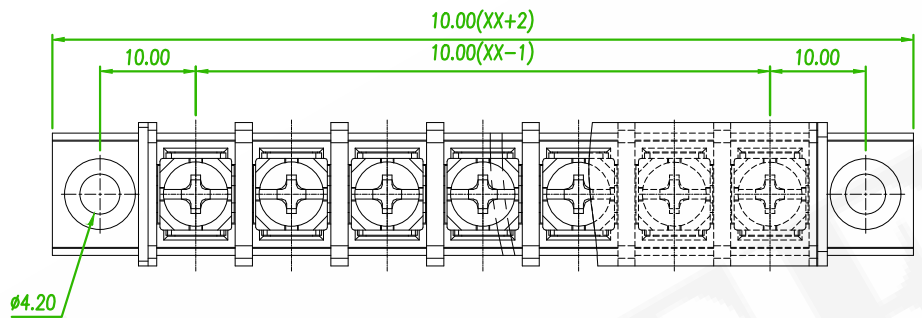
ORDER INFORMATION

ELECTRICAL
 RATED VOLTAGE: 200V
 RATED CURRENT: 20A
 CONTACT RESISTANCE: 20mΩ
 INSULATION RESISTANCE: 500MΩ / DC 500V
 WIRE RANGE: 22-12AWG
 DIELECTRIC VOLTAGE: AC 1600V FOR ONE MINUTE

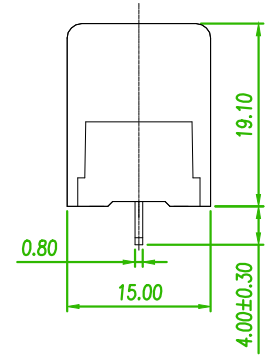
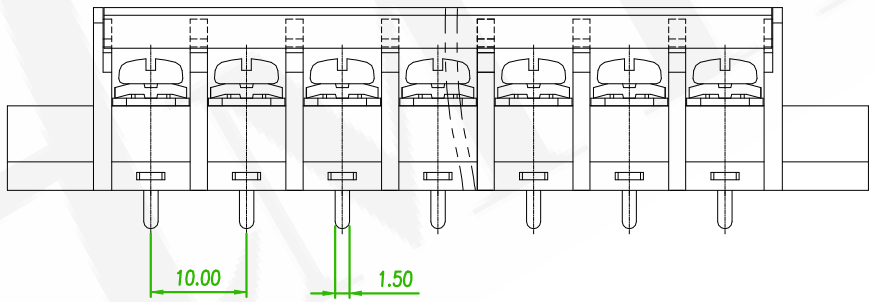


MECHANICAL
 TEMP RANGE: -40°C ~ +105°C
 SOLDERING: +260°C, FOR 5 SEC
 TORQUE: 1.2N.m

MATERIAL
 HOUSING: NYLON 66, UL94V-0
 SCREWS: STEEL, M4 Ni PLATED
 PIN HEADER: COPPER ALLOY, Sn PLATED
 COVER: PC, UL94V-2



RECOMMENDED PCB LAOUT
(PCB TOLERANCE ± 0.05)



linear dimension (Tolerances Standard GB/T 14486-2008)							— ▯ ⊥			
variable range	to 6	over 6 to 10	over 10 to 30	over 30 to 60	over 60 to 100	over 100 to 160	to 10	over 10 to 100	over 100 to	
tolerance	± 0.20	± 0.30	± 0.50	± 0.70	± 1.00	± 1.30	± 1.60	0.10	0.30	0.60

糧德精密有限公司
Amtek Technology Co., Ltd.
TEL: 886-2-2260-6878
FAX: 886-2-2260-8030

品名 TITLE	TERMINAL BLOCK BARRIER 10.0mm DIP V/T TYPE				頁數 Page	1/1
品號 PART NO.	5TB100S-58CXXXXLX-W1			繪圖 DRAWN	JOHN 2025/03/13	
圖號 DRAWING NO.	GN011-JH189	版本 REV.	A	核對 CHECKED	JOSH 2025/03/13	
客戶品號 CUSTOMER P/N		比例 SCALE	None	承認 APPROVED	JOSH 2025/03/13	
公差 TOLERANCE		單位 UNIT	mm	THIRD ANGLE PROJECTION		

△	ECN NO:240348 Revise the drawing	John	2025/03/13
REV.	ECN NO. OR DESCRIPTION	REVISED	DATE