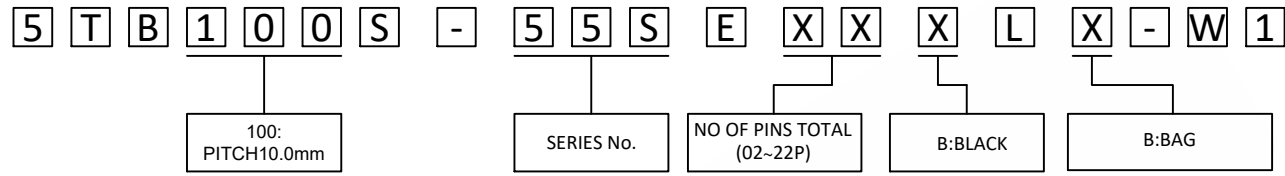


ELECTRICAL ⚠ ⚠

STANDARD: UL
 RATED VOLTAGE: 300V
 RATED CURRENT: 25A
 CONTACT RESISTANCE: 20mΩ
 INSULATION RESISTANCE: 500MΩ / DC 500V
 WIRE RANGE: 22-12AWG
 DIELECTRIC VOLTAGE: AC 1600V FOR ONE MINUTE

ORDER INFORMATION

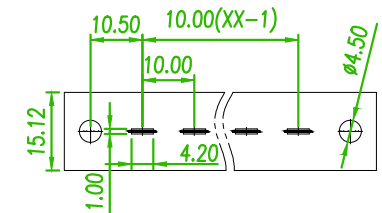
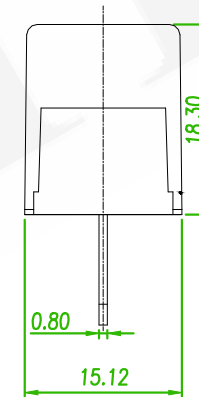
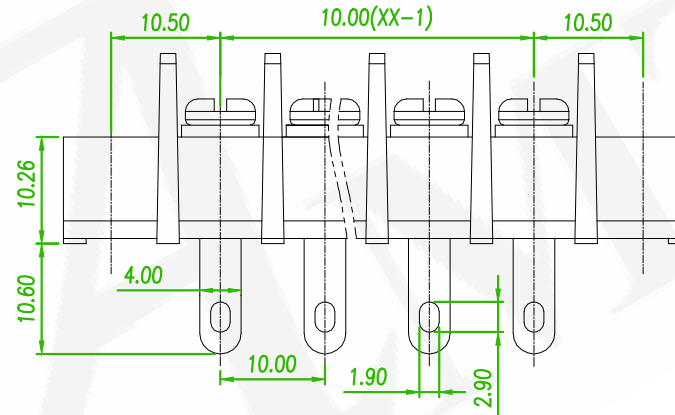
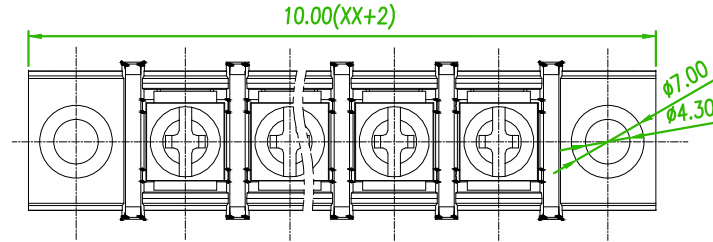


MECHANICAL

TORQUE: 1.2Nm
 TEMP. RANGE: -40°C ~ +105°C
 MAX SOLDERING: +260°C, FOR 5 SEC

MATERIAL

HOUSING: NYLON66, UL94V-0
 SCREWS: STEEL, M4 STEEL Ni PLATED
 PIN HEADER: COPPER ALLOY, Sn PLATED



RECOMMENDED PCB LAOUT
 (PCB TOLERANCE ±0.05)

| linear dimension (Tolerances Standard GB/T 14486-2008) | | | | | | | | — | ∕ | ⊥ |
|--|-------|--------------|---------------|---------------|----------------|-----------------|----------------|----------------|-----------------|------|
| variable range | to 6 | over 6 to 10 | over 10 to 30 | over 30 to 60 | over 60 to 100 | over 100 to 160 | over 160 to 10 | over 10 to 100 | over 100 to 100 | |
| tolerance | ±0.20 | ±0.30 | ±0.50 | ±0.70 | ±1.00 | ±1.30 | ±1.60 | 0.10 | 0.30 | 0.60 |

| | | | |
|------------------------------------|------------------------------------|---------|------------|
| ⚠ | ECN NO:240348 Revise the drawing | Gaby | 2024/12/04 |
| ⚠x2 | ECN NO:201211 Revise the PART NO. | Alice | 2020/12/31 |
| ⚠x1 | ECN NO:200718 Revise the Tolerance | Alice | 2020/11/06 |
| REV. | ECN NO. OR DESCRIPTION | REVISED | DATE |

TEL: 886-2-2260-6878
 FAX: 886-2-2260-8030

| | | | | | | |
|----------------------|---|-------------|------|---------------------------|---------------------|-----|
| 品名 TITLE | TERMINAL BLOCK BARRIER 10.0mm DIP V/T TYPE | | | | 頁數 Page | 1/1 |
| 品號 PART NO. | 5TB100S-55SEXXLX-W1 | | | 繪圖 DRAWN | Mia 2016/10/12 | |
| 圖號 DRAWING NO. | GN011-DV933 | 版本 REV. | E | 核對 CHECKED | Jonny 2016/10/12 | |
| 客戶品號 CUSTOMER P/N | | 比例 SCALE | None | 承認 APPROVED | Aaron 2016/10/12 | |
| 公差 TOLERANCE | | 單位 UNIT | mm | THIRD ANGLE PROJECTION | | |