

ORDER INFORMATION

5 W 1 2 5 0 H 0 - 1 X X X X X X U A 0 1

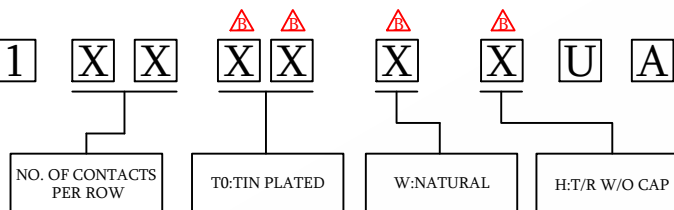


SPECIFICATIONS

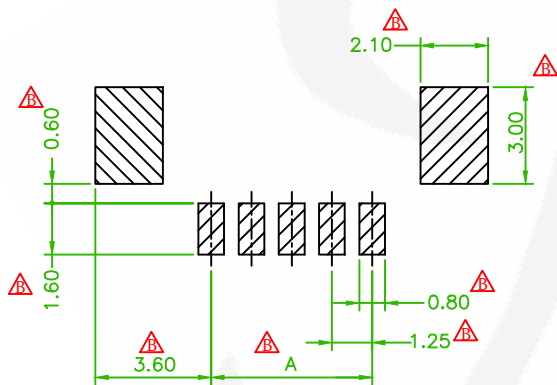
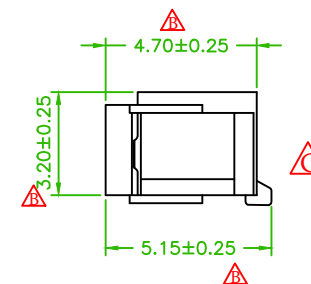
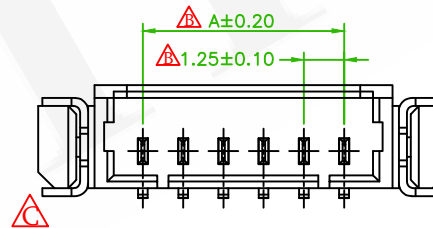
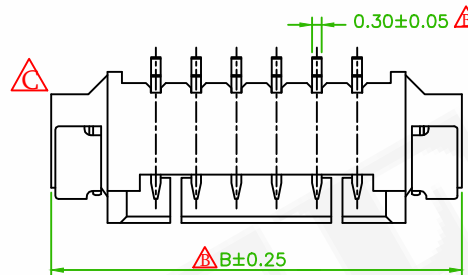
RATED CURRENT: 1A AC,DC
 RATED VOLTAGE: 125V AC,DC
 OPERATING TEMPERATURE: -25°C TO +85°C
 CONTACT RESISTANCE: 20mΩ MAX
 INSULATION RESISTANCE: 100MΩ MIN
 DIELECTRIC STRENGTH: 500V AC/MINUTE

MATERIAL

HOUSING: NYLON 6T, UL94V-0
 CONTACT: BRASS



PIN NO.	DIMENSIONS	
	A	B
02	1.25	7.75
03	2.50	9.00
04	3.75	10.25
05	5.00	11.50
06	6.25	12.75
07	7.50	14.00
08	8.75	15.25
09	10.00	16.50
10	11.25	17.75
11	12.50	19.00
12	13.75	20.25
13	15.00	21.50
14	16.25	22.75
15	17.50	24.00
16	18.75	25.25
17	20.00	26.50
18	21.25	27.75



RECOMMENDED PCB LAYOUT
(PCB TOLERANCE ±0.05)

OLD PART NO.: 1250MR-XXTW-U

△	ECN-202604008	Oliver	2026/04/20
△	ECN NO.: 240504 REVISE THE DRAWING	Randy	2024/06/03
REV.	ECN NO. OR DESCRIPTION	REVISED	DATE

糧德精密有限公司
 Amtek Technology Co., Ltd.
 TEL: 886-2-2260-6878
 FAX: 886-2-2260-8030

品名 TITLE	△ WAFER 1.25mm SMT R/A TYPE			頁數 Page	1/1
品號 PART NO.	5W1250H0-1XXXXXXUA01 △			繪圖 DRAWN	Mia 2015/09/04
圖號 DRAWING NO.	GW090-RD542	版本 REV.	C	核對 CHECKED	John 2015/09/04
客戶品號 CUSTOMER P/N		比例 SCALE	None	承認 APPROVED	John 2015/09/04
公差 TOLERANCE	.X ± 0.25 .XX ± 0.15	單位 UNIT	mm	THIRD ANGLE PROJECTION	☉ ↯