

# ORDER INFORMATION

5 W 1 0 0 1 H 0 - 2 X X X X X X U A 0 1

NO. OF CONTACTS PER ROW: 2  
G0: GOLD FLASH  
W: NATURAL  
H: REEL W/O CAP

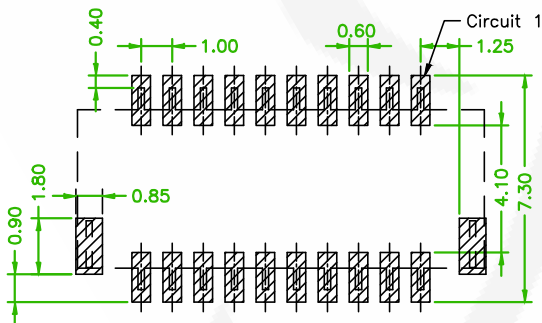
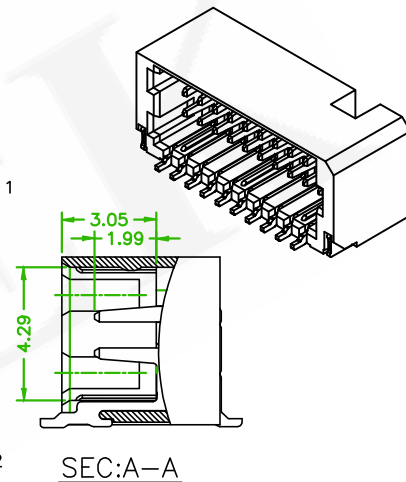
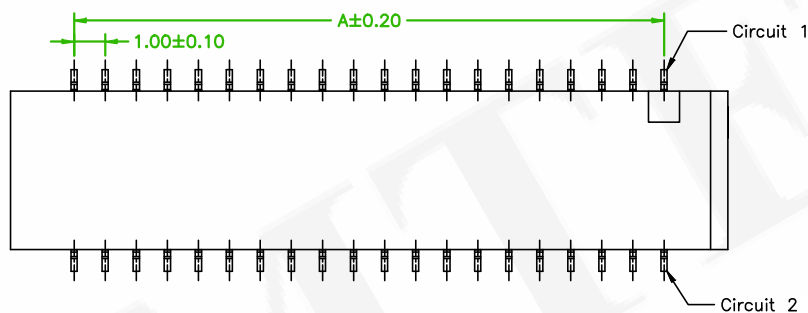
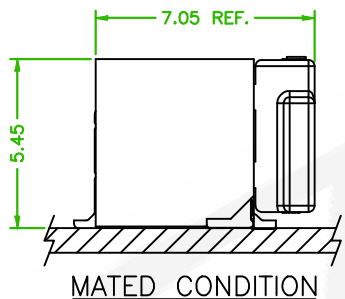
## SPECIFICATIONS

CURRENT RATING: 1A AC,DC  
VOLTAGE RATING: 50V AC,DC  
TEMPERATURE RANGE: -40°C TO +105°C  $\Delta$   
CONTACT RESISTANCE: 20m $\Omega$  MAX  
INSULATION RESISTANCE: 100M $\Omega$  MIN  
WITHSTANDING VOLTAGE: 500V AC/MINUTE

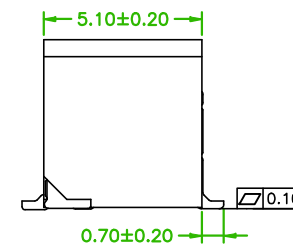
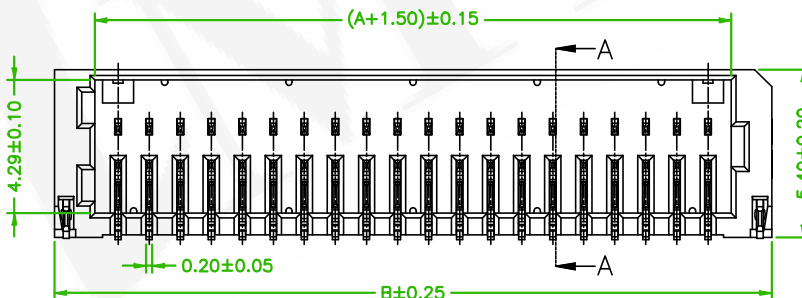
## MATERIAL


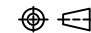
INSULATOR: NYLON 6T, UL94V-0  
CONTACT: BRASS  $\Delta$   
SOLDER TAB: BRASS  $\Delta$

Circuit No.	Dimensions	
	A	B
2X05P	4.00	8.10
2X06P	5.00	9.10
2X08P	7.00	11.10
2X10P	9.00	13.10
2X15P	14.00	18.10
2X20P	19.00	23.10
2X25P	24.00	28.10



RECOMMENDED PCB LAYOUT  
(PCB TOLERANCE  $\pm 0.05$ )



 懌德精密有限公司 Amtek Technology Co., Ltd. TEL: 886-2-2260-6878 FAX: 886-2-2260-8030	品名 TITLE	WAFER 1.0mm SMT R/A TYPE			頁數 Page	1/1
	品號 PART NO.	5W1001H0-2XXXXXUA01			繪圖 DRAWN	Benson 2022/01/12
	圖號 DRAWING NO.	GW090-BN887	版本 REV.	B	核對 CHECKED	Josh 2022/01/12
	客戶品號 CUSTOMER P/N		比例 SCALE	None	承認 APPROVED	Josh 2022/01/12
	公差 TOLERANCE	.X $\pm 0.25$ .XX $\pm 0.15$	單位 UNIT	mm	THIRD ANGLE PROJECTION	

REV.	ECN 202601017	Willy	2026/01/30
	ECN NO. OR DESCRIPTION	REVISED	DATE