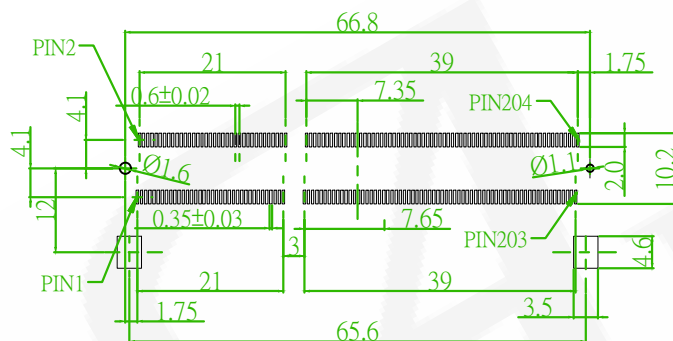
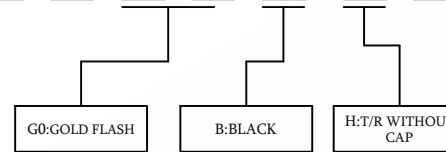


ORDER INFORMATION

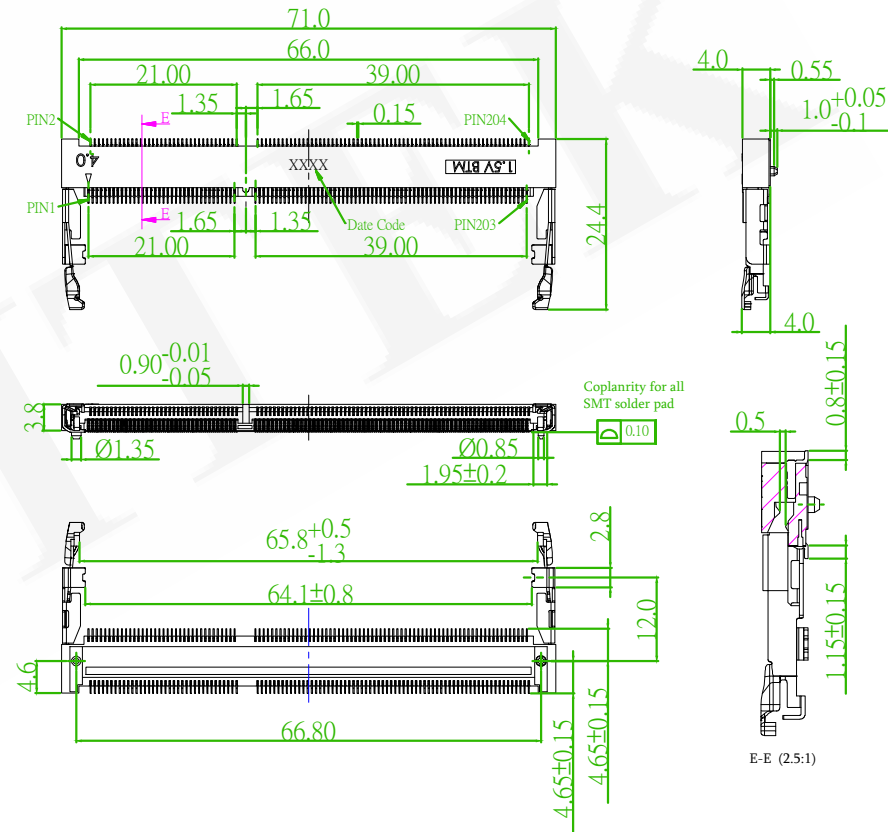
MATERIAL

HOUSING: LCP, UL94V-0, BLACK
TERMINAL: COPPER ALLOY


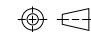
5 S D 3 6 H R 1 4 - A 2 X X B X U - A 1



RECOMMENDED PCB LAYOUT
(PCB TOLERANCE ±0.05)



E-E (2.5:1)

| | | | | | | |
|---------------------------------------------------------------------------------------------------------------------------------------------------------------------------------|----------------------|-------------------------------|-------------|------|------------------------------|---------------------------------------------------------------------------------------|
|  懋德精密有限公司 Amtek Technology Co., Ltd. TEL: 886-2-2260-6878 FAX: 886-2-2260-8030 | 品名 TITLE | DDR3 SO-DIMM RVS SMT R/A TYPE | | | 頁數 Page | 1/1 |
| | 品號 PART NO. | 5SD36HR14-A2XXXXU-A1 | | | 繪圖 DRAWN | Andy 2017/08/30 |
| | 圖號 DRAWING NO. | GW039-AA008 | 版本 REV. | B | 核對 CHECKED | Carol Liu 2017/08/30 |
| | 客戶品號 CUSTOMER P/N | | 比例 SCALE | None | 承認 APPROVED | Jason 2017/08/30 |
| | 公差 TOLERANCE | .X ±0.1 .XX ±0.05 | 單位 UNIT | mm | THIRD ANGLE PROJECTION |  |
| | | | | | | |

| | | | |
|------|----------------------------------|---------|------------|
| REV. | ECN-202604023 Revise the drawing | Roland | 2026/04/21 |
| | ECN NO. OR DESCRIPTION | REVISED | DATE |