

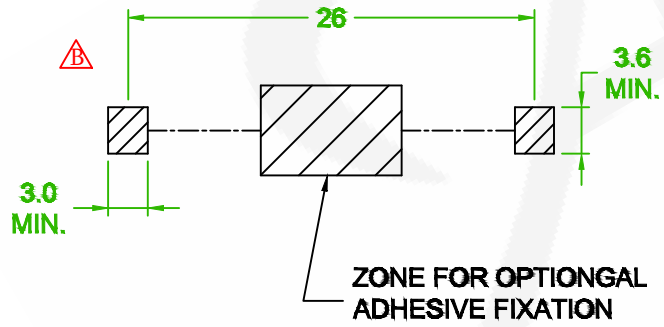
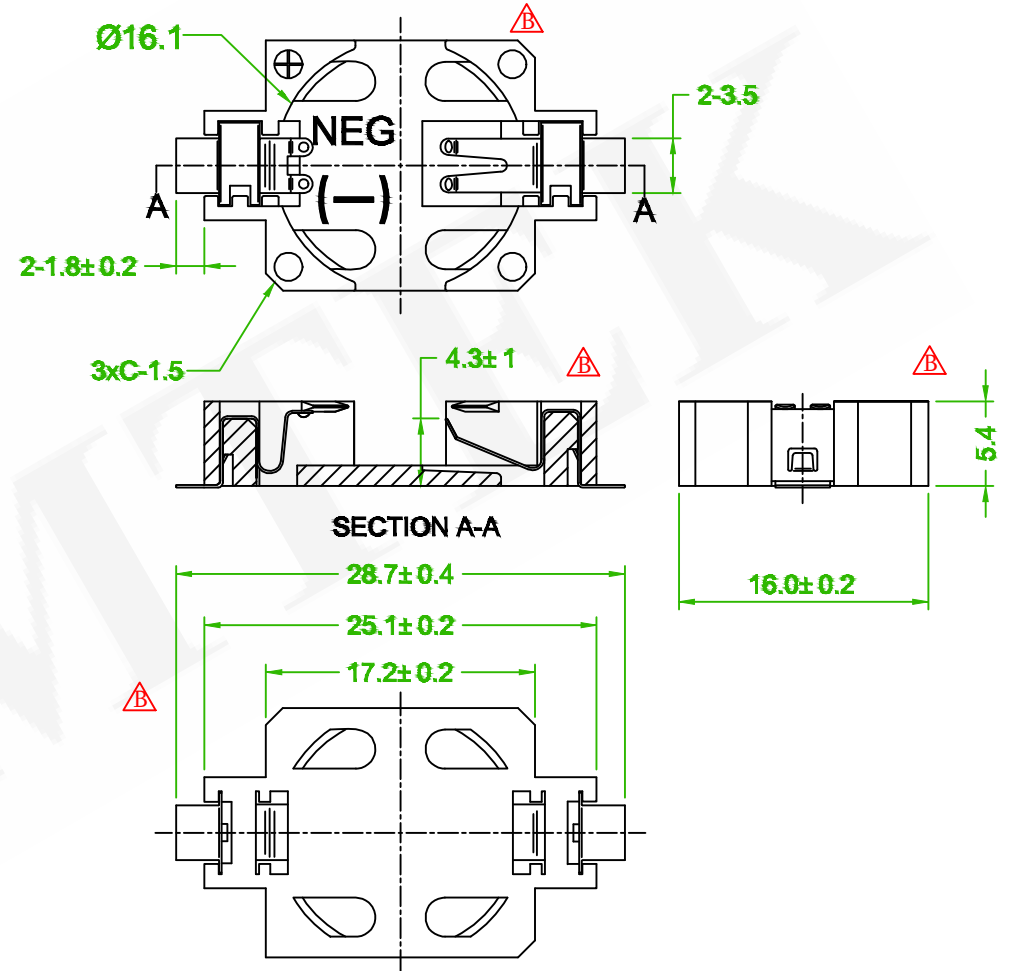
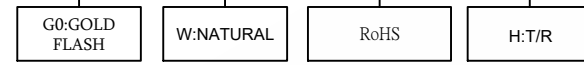
MATERIAL

HOUSING:LCP+G.F,UL94V-0

CONTACT:PHOSPHOR BRONZE,T=0.15mm

ORDER INFORMATION

5 S B D 1 6 3 2 M 0 - X X X U X - A 0 1



RECOMMENDED PCB LAYOUT
(PCB TOLERANCE ±0.05)

| | | | | | | |
|--|----------------------|---------------------------------------|-------------|------------|----------------|------------------------------|
| 糧德精密有限公司 Amtek Technology Co., Ltd. TEL: 886-2-2260-6878 FAX: 886-2-2260-8030 | 品名 TITLE | BATTERY HOLDER CR1632 SMT V/T TYPE | | | 頁數 Page | 1/1 |
| | 品號 PART NO. | 5SBD1632M0-XXXUX-A01 | | | 繪圖 DRAWN | ROY 2017/06/15 |
| | 圖號 DRAWING NO. | GN036-HR199 | 版本 REV. | B | 核對 CHECKED | JERRY 2017/06/15 |
| | 客戶品號 CUSTOMER P/N | | 比例 SCALE | None | 承認 APPROVED | JERRY 2017/06/15 |
| | 公差 TOLERANCE | X ± 0.20 .XX ± 0.10 | X° ± 3° | 單位 UNIT | mm | THIRD ANGLE PROJECTION |
| | | | | | | |

| | | | |
|------|----------------------------------|---------|------------|
| REV. | ECN-202505005 Revise the drawing | Gaby | 2025/05/14 |
| | ECN NO. OR DESCRIPTION | REVISED | DATE |