

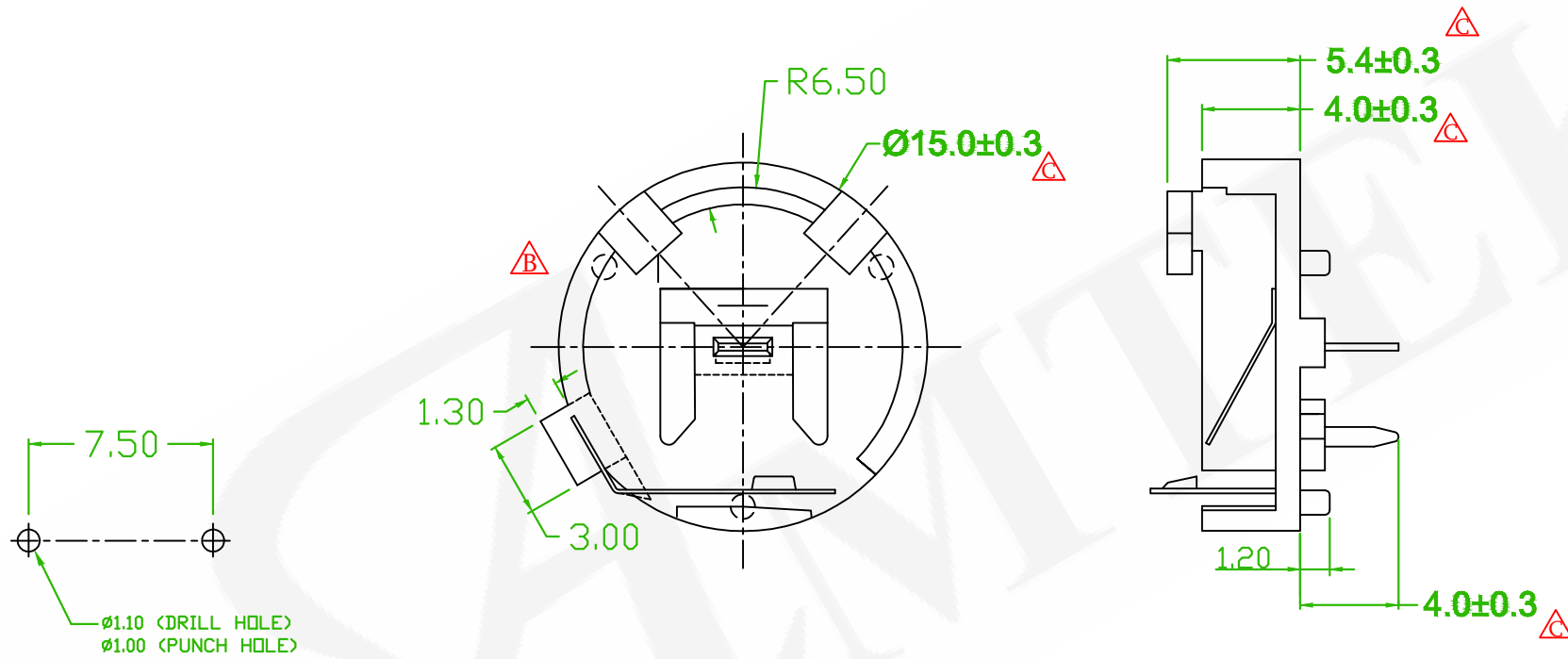
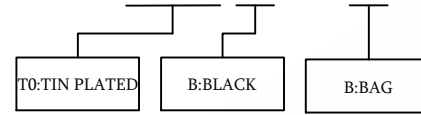
ORDER INFORMATION

MATERIAL

HOUSING:PBT △B

TERMINAL:PHOSPHOR BRONZE,T=0.15mm

5 S B D 1 2 2 0 D 0 - X X X L X - A 0 2



RECOMMENDED PCB LAYOUT
(PCB TOLERANCE ± 0.05)

OLD P/N:BTD-1220TB-L

△ C	ECN-202604034	Oliver	2026/05/07
△ B	ECN 202601049	Willy	2026/02/10
REV.	ECN NO. OR DESCRIPTION	REVISED	DATE

<p>懌德精密有限公司 Amtek Technology Co., Ltd. TEL: 886-2-2260-6878 FAX: 886-2-2260-8030</p>	品名 TITLE	BATTERY HOLDER 1220 DIP V/T TYPE			頁數 Page	1/1
	品號 PART NO.	5SBD1220D0-XXXLX-A02			繪圖 DRAWN	Willy 2026/02/10
	圖號 DRAWING NO.	GN036-WW574	版本 REV.	C	核對 CHECKED	Josh 2026/02/10
	客戶品號 CUSTOMER P/N		比例 SCALE	None	承認 APPROVED	Josh 2026/02/10
	公差 TOLERANCE	.X ± 0.2 .XX ± 0.1	單位 UNIT	mm	THIRD ANGLE PROJECTION	