

**SPECIFICATIONS**

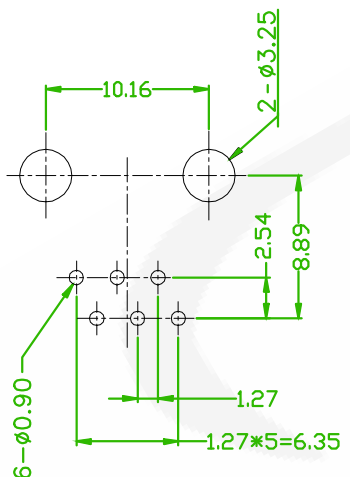
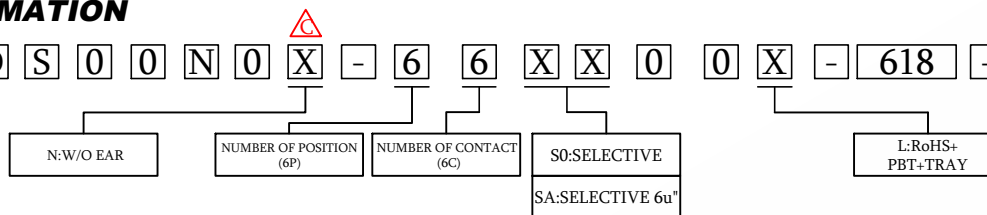
CURRENT RATING: 1.5 AMP  
 VOLTAGE: 125 VOLTS AC.  
 INSULATION RESISTANCE: 1000MΩ MIN.  
 CONTACT RESISTANCE: 40mΩ MAX.  
 DIELECTRIC VOLTAGE: 1000V AC FOR ONE MINUTE  
 DURRABILITY:750 CYCLES  
 OPERATION TEMPERATURE: -20°C+75°C  
 STORAGE TEMPERATURE:-40°C+85°C

**MATERIAL**

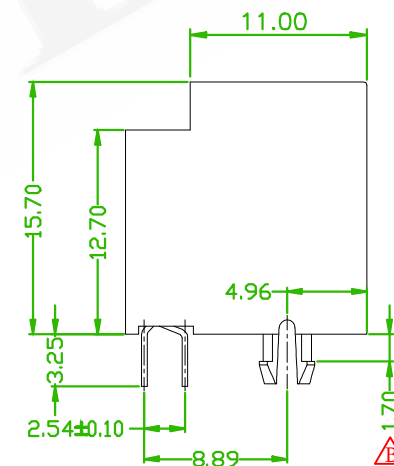
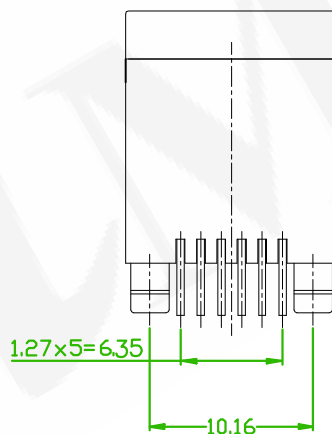
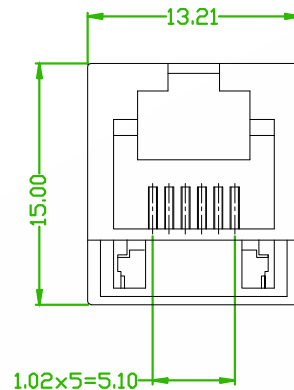
HOUSING: PBT UL 94V-0,BLACK  
 CONTACTS: PHOSPHOR BRONZE

**ORDER INFORMATION**

5 R J 1 D S 0 0 N 0 X - 6 6 X X 0 0 X - 618 - Y 1



RECOMMENDED PCB LAYOUT  
 (PCB TOLERANCE ±0.05)



品名 TITLE	MODULAR JACK DIP V/T TYPE				頁數 Page	1/1
品號 PART NO.	△5RJ1DS00N0X-66XX00X-618-Y1			繪圖 DRAWN	Randy 2023/07/04	
圖號 DRAWING NO.	GN225-RD004	CUSTOMER REV.	None	核對 CHECKED	Josh 2023/07/04	
客戶品號 CUSTOMER P/N		版本 REV.	C	承認 APPROVED	Josh 2023/07/04	
公差 TOLERANCE	.X ± 0.38	單位 UNIT	mm	THIRD ANGLE PROJECTION		

REV.	ECN NO. OR DESCRIPTION	REVISED	DATE
△	ECN-202511021	Oliver	2025/11/27
△	ECN 202504017	Willy	2025/05/05