

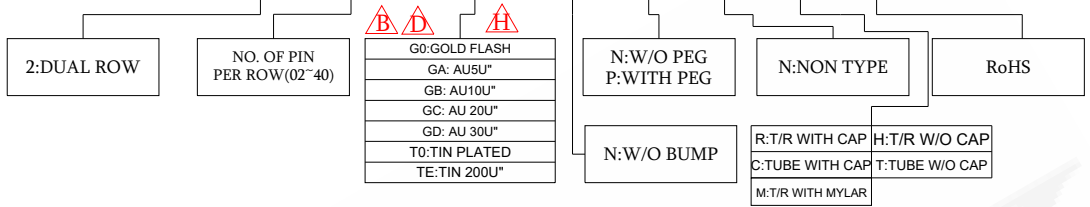
MATERIAL

INSULATOR: NYLON 9T, UL94V-0, BLACK
CONTACT PIN: PHOSPHOR BRONZE

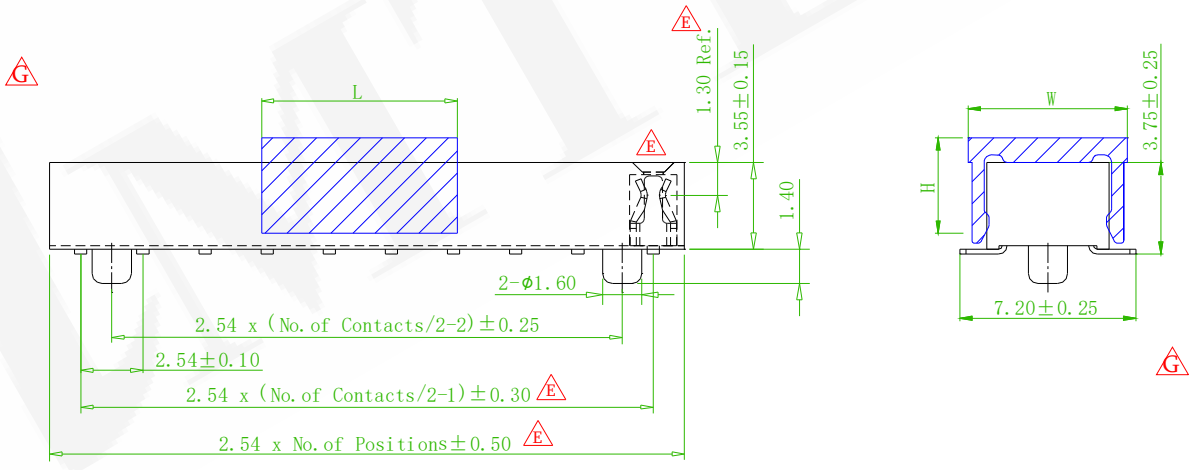
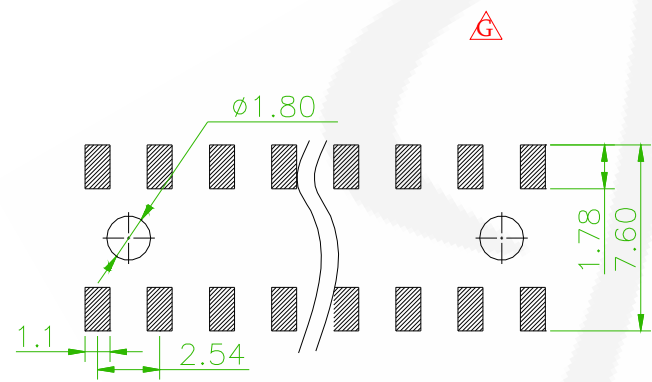
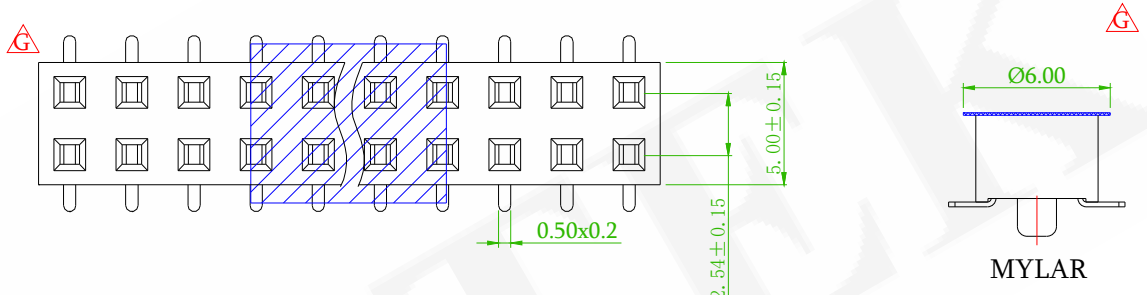
ORDER INFORMATION

5 P S 1 M S A 3 5 - 2 X X X X X X X U - 0 0

AMTEK 糧德
2025.04.29
Released DCC



Cap	L	W	H(Ref.)
>4Pin	8.0	6.5	3.8
≤4Pin	5.2	6.5	4.3



RECOMMENDED PCB LAYOUT
(PCB TOLERANCE ±0.05)

OLD PART NO. : PS1M35-2XX-U

REV.	ECN NO. OR DESCRIPTION	REVISED	DATE
A	ECN-202503051	Alice	2025/04/28
G	ECN NO.:231028 Revise the drawing	Gaby	2023/11/10
Fx2	ECN NO.:210916 Revise the drawing	Alice	2021/10/12

糧德精密有限公司
Amtek Technology Co., Ltd.
TEL: 886-2-2260-6878
FAX: 886-2-2260-8030

品名 TITLE		FEMALE HEADER 2.54mm SMT V/T TYPE		頁數 Page	1/1
品號 PART NO.	5PS1MSA35-2XXXXXXXU-00			繪圖 DRAWN	Athena 2015/08/28
圖號 DRAWING NO.	GN003-RL061	版本 REV.	H	核對 CHECKED	JOSH 2018/09/07
客戶品號 CUSTOMER P/N		比例 SCALE	None	承認 APPROVED	Jason 2018/09/07
公差 TOLERANCE	.X ±0.40 .XX ±0.25	單位 UNIT	mm	THIRD ANGLE PROJECTION	