

**ORDER INFORMATION**

5 M S 1 S 7 0 N - 2 X X X X X X U - 1000 - 0 1

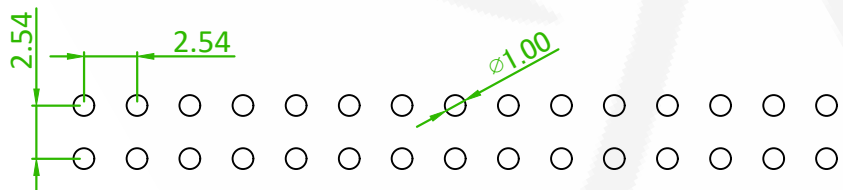
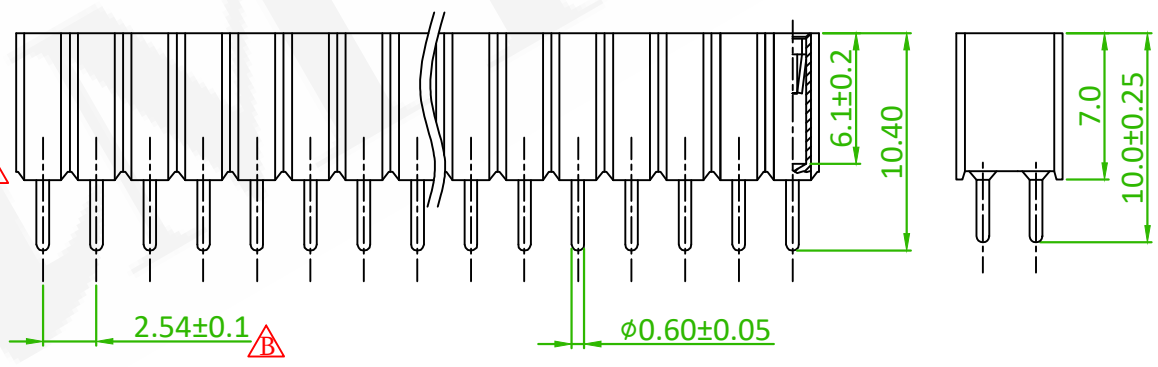
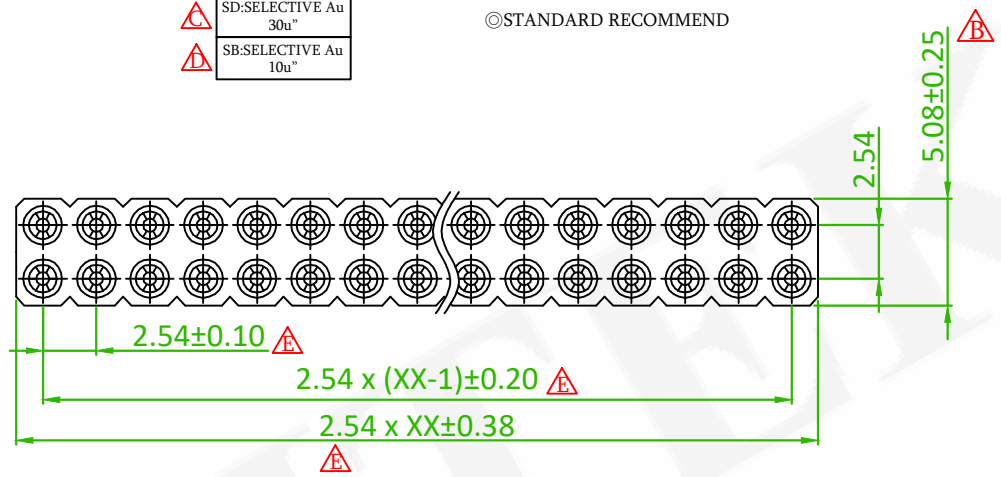
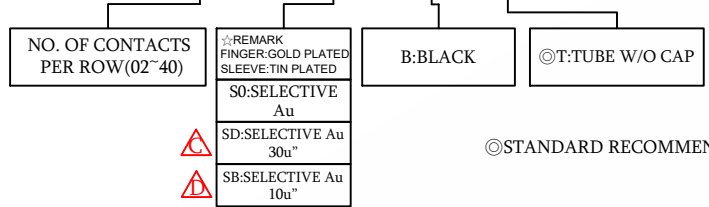


**SPECIFICATIONS**

RATED CURRENT: 3A  
 INSULATION RESISTANCE: 1000MΩ MIN AT 100V MIN  
 CONTACT RESISTANCE: 20mΩ MAX  
 DIELECTRIC STRENGTH: 1000V AC FOR ONE MINUTE  
 OPERATION TEMPERATURE: -40°C to +105°C  
 MECHANICAL LIFE CYCLE : 200 CYCLES MIN

**MATERIAL**

HOUSING: PPS, UL94V-0  
 CONTACT CILP: 6 FINGER, BERYLLIUM COPPER  
 SLEEVE: BRASS



RECOMMENDED PCB LAYOUT  
 (PCB TOLERANCE ±0.05)

△	ECN-202604065	Oliver	2026/05/12
△x1	ADD PLATED OPTION	Alice	2022/10/13
△x2	ADD PLATED OPTION & CONTACT 6 FLNGER	Alice	2021/09/08
REV.	ECN NO. OR DESCRIPTION	REVISED	DATE

懋德精密有限公司  
 Amtek Technology Co., Ltd.  
 TEL: 886-2-2260-6878  
 FAX: 886-2-2260-8030

品名 TITLE	MACHINE PIN SOCKET 2.54mm DIP V/T TYPE				頁數 Page	1/1
品號 PART NO.	5MS1S70N-2XXXXXXU-1000-01(CN032)			繪圖 DRAWN	Jeff 2015/09/16	
圖號 DRAWING NO.	GN032-AZ170	版本 REV.	E	核對 CHECKED	John 2015/09/16	
客戶品號 CUSTOMER P/N		比例 SCALE	None	承認 APPROVED	John 2015/09/16	
公差 TOLERANCE	.X ±0.20 .XX ±0.10	.X <sup>o</sup> ±3	單位 UNIT	mm	THIRD ANGLE PROJECTION	