

ORDER INFORMATION

5MH1S30N-1XX-1196-01

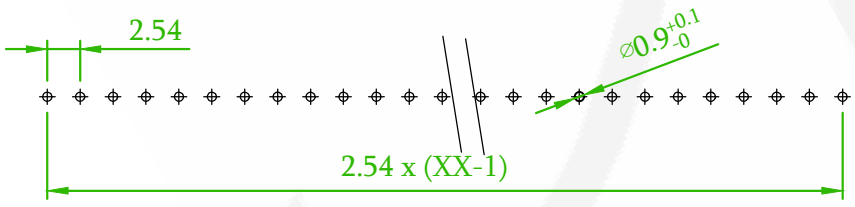
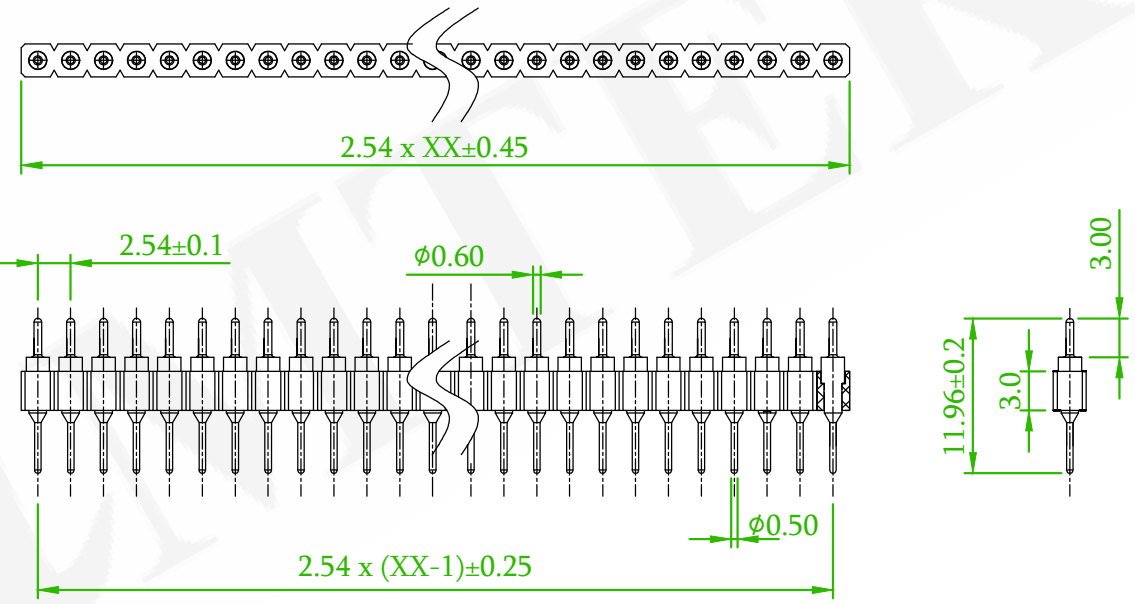
SPECIFICATIONS

CURRENT RATING: 3 AMP
 INSULATION RESISTANCE: 1000MΩ MIN.
 CONTACT RESISTANCE: 20mΩ MAX.
 DIELECTRIC VOLTAGE: 1000V AC FOR ONE MINUTE
 OPERATION TEMPERATURE: -40°C TO +105°C

MATERIAL

INSULATOR: PPS , UL94V-0
 TERMINAL: COPPER ALLOY

NO. OF CONTACTS PER ROW(01~40)	GA:5u"	B:BLACK	T:TUBE
	GB:10u"		B:BAG
	GC:20u"		
	GD:30u"		
	GF:15u"		
	T0:TIN PLATED		
TE:TIN 200u"			



Old Part No.:MH1S30-1XX-1196-U

REV.	ECN NO. OR DESCRIPTION	REVISED	DATE
	ECN-202605009 Revise the drawing	Roland	2026/05/29
	Add a package: B: Bag, add an Insulator: PBT.	Gary	2018/02/12

懌德精密有限公司
Amtek Technology Co., Ltd.
TEL: 886-2-2260-6878
FAX: 886-2-2260-8030

品名 TITLE	MACHINE PIN HEADER 2.54mm DIP V/T TYPE				頁數 Page	1/1
品號 PART NO.	5MH1S30N-1XXXXXXU-1196-01(CN032)			繪圖 DRAWN	Jeff 2015/09/16	
圖號 DRAWING NO.	GN032-GA988	版本 REV.	C	核對 CHECKED	Josh 2018/02/12	
客戶品號 CUSTOMER P/N		比例 SCALE	None	承認 APPROVED	Jason 2018/02/12	
公差 TOLERANCE	.X ± 0.20 .XX ± 0.10	單位 UNIT	mm	THIRD ANGLE PROJECTION		