

**ORDER INFORMATION**

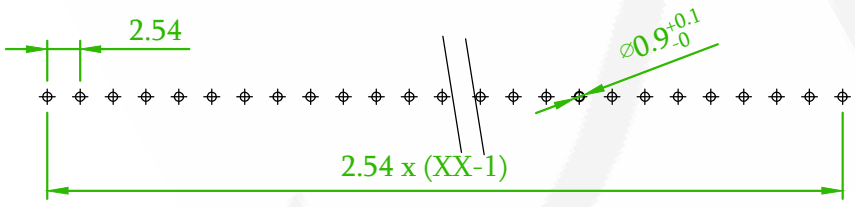
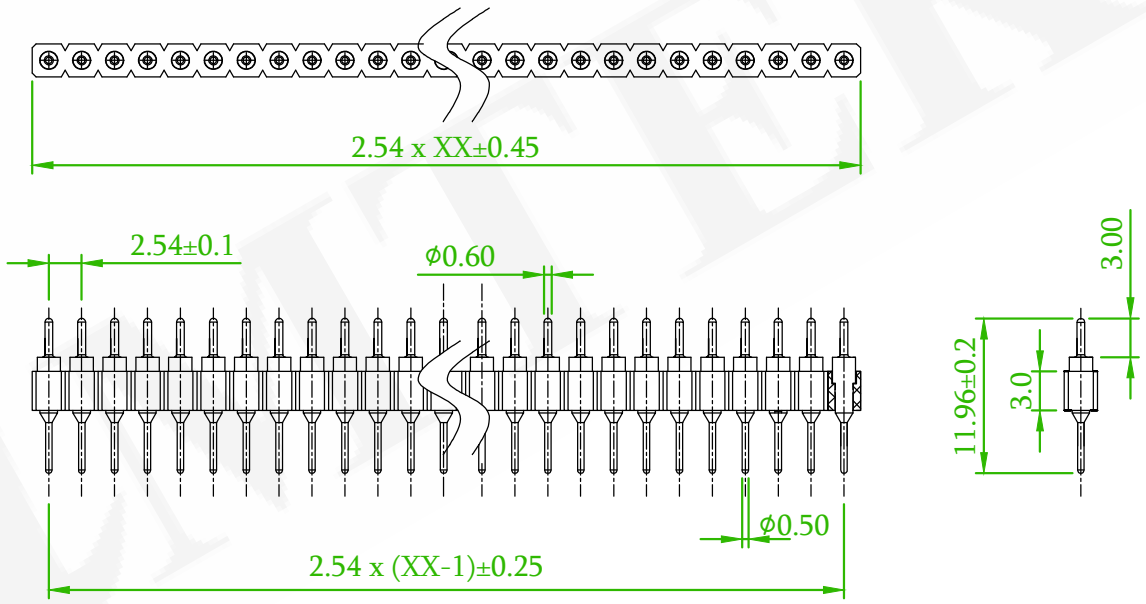
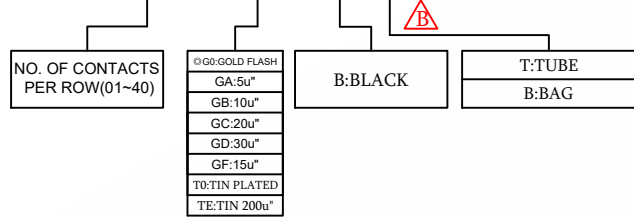
**SPECIFICATIONS**

CURRENT RATING: 3 AMP  
 INSULATION RESISTANCE: 1000MΩ MIN.  
 CONTACT RESISTANCE: 20mΩ MAX.  
 DIELECTRIC VOLTAGE: 1000V AC FOR ONE MINUTE  
 OPERATION TEMPERATURE: -40°C TO +105°C

**MATERIAL**

INSULATOR: PBT , UL94V-0  
 TERMINAL: COPPER ALLOY

5MH1S30N-1XXXL-1196-01



RECOMMENDED PCB LAYOUT  
(PCB TOLERANCE ±0.05)

Old Part No.:MH1S30-1XX-1196-U

|      |   |         |            |
|------|---|---------|------------|
| REV. | ECN NO. OR DESCRIPTION                        | REVISED | DATE       |
| △    | ECN-202605009 Revise the drawing              | Roland  | 2026/05/29 |
| △x3  | Add a package: B: Bag, add an Insulator: PBT. | Gary    | 2018/02/12 |

懌德精密有限公司  
Amtek Technology Co., Ltd.  
TEL: 886-2-2260-6878  
FAX: 886-2-2260-8030

|                      |   |             |      |                              |                     |     |
|----------------------|---|-------------|------|------------------------------|---------------------|-----|
| 品名<br>TITLE          | MACHINE PIN HEADER 2.54mm DIP<br>V/T TYPE |             |      |                              | 頁數<br>Page          | 1/1 |
| 品號<br>PART NO.       | 5MH1S30N-1XXXXXXL-1196-01(CN032)          |             |      | 繪圖<br>DRAWN                  | Jeff<br>2015/09/16  |     |
| 圖號<br>DRAWING NO.    | GN032-GA988                               | 版本<br>REV.  | C    | 核對<br>CHECKED                | Josh<br>2018/02/12  |     |
| 客戶品號<br>CUSTOMER P/N |   | 比例<br>SCALE | None | 承認<br>APPROVED               | Jason<br>2018/02/12 |     |
| 公差<br>TOLERANCE      | .X ±0.20<br>.XX ±0.10                     | 單位<br>UNIT  | mm   | THIRD<br>ANGLE<br>PROJECTION |                     |     |