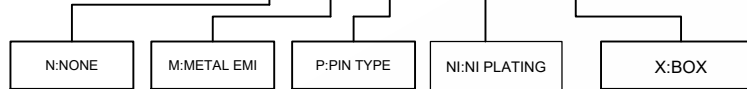


ORDER INFORMATION



5 H S P C 0 2 - 1 4 X X X X X X - 0 2

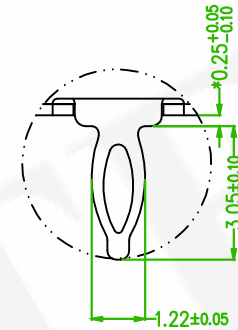
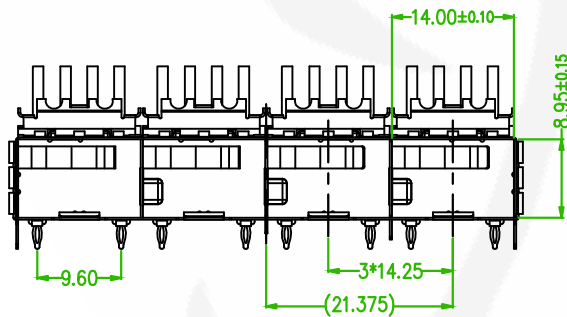
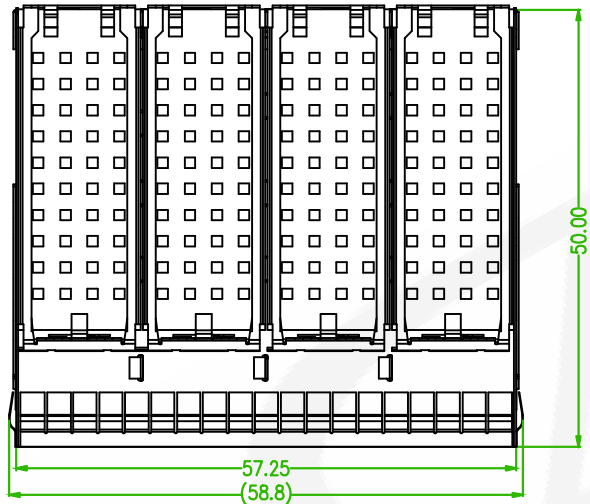


SPECIFICATION

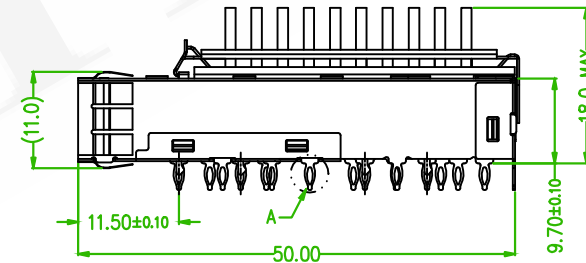
OPERATION TEMPERATURE: -40°C TO +85°C

MATERIAL

CAGE:1,COPPER ALLOY T=0.25
EMI SPRING:4,COPPER ALLOY T=0.08, NICKEL PLATED
HEAT SINK:4, ALUMINUM ALLOY, NICKEL PLATED
HEAT SINK CLIP:4,STAINLESS STEEL ,T=0.25

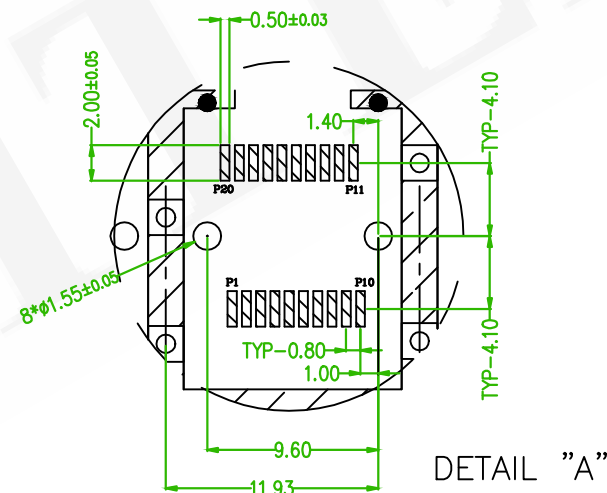
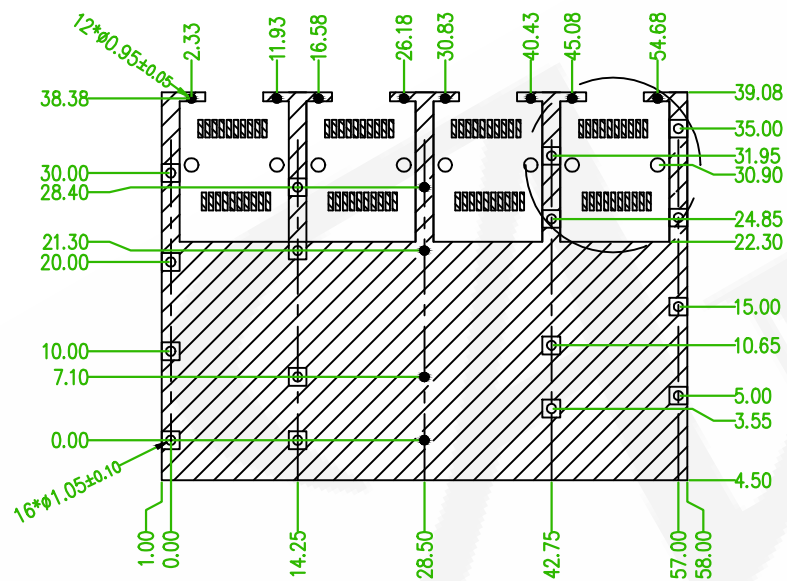
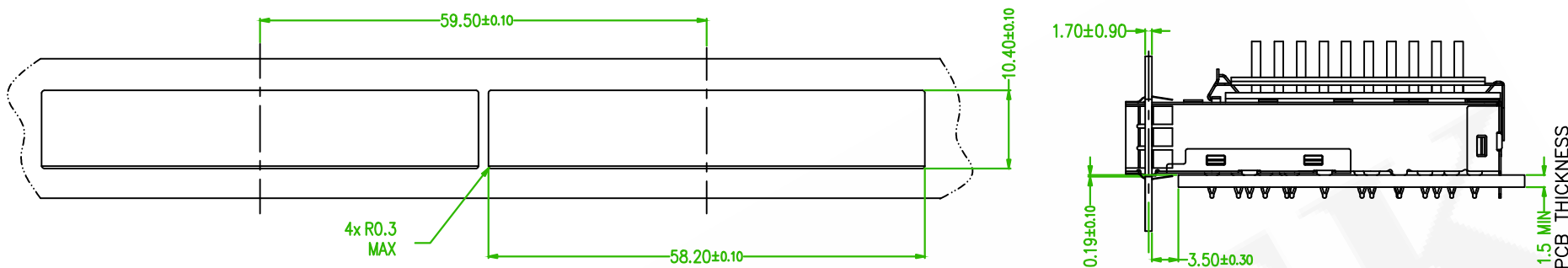


DETAIL "A"


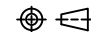


| | | | | | | |
|--|------------------------|-------------------------|-------------|------|------------------------------|---------------------|
| <p>懌德精密有限公司 Amtek Technology Co., Ltd. TEL: 886-2-2260-6878 FAX: 886-2-2260-8030</p> | 品名 TITLE | SFP+ CAGE | | | 頁數 Page | 1/2 |
| | 品號 PART NO. | 5HSPC02-14XXXXXX-02 | | | 繪圖 DRAWN | David 2019/03/22 |
| | 圖號 DRAWING NO. | GN189-DV012 | 版本 REV. | C | 核對 CHECKED | Josh 2019/03/22 |
| | 客戶品號 CUSTOMER P/N | | 比例 SCALE | None | 承認 APPROVED | Josh 2019/03/22 |
| | 公差 TOLERANCE | .X ± 0.25 .XX ± 0.20 | 單位 UNIT | mm | THIRD ANGLE PROJECTION | |
| | ECN NO. OR DESCRIPTION | REV. | REVISED | DATE | REVISED | DATE |

| | | | |
|--|--|--------|------------|
| | ECN-202602039 | Roland | 2026/04/09 |
| | QEC NO.190607: Revise the Part NO,Revise the order information | Nick | 2019/06/26 |



| | | | |
|------|--|---------|------------|
| △ | ECN-202602039 | Roland | 2026/04/09 |
| △x2 | QEC NO.190607: Revise the Part NO,Revise the order information | Nick | 2019/06/26 |
| REV. | ECN NO. OR DESCRIPTION | REVISED | DATE |

| | | | | | | |
|---|----------------------|-------------------------|-------------|------|------------------------------|---|
|  懋德精密有限公司 Amtek Technology Co., Ltd. TEL: 886-2-2260-6878 FAX: 886-2-2260-8030 | 品名 TITLE | SFP+ CAGE | | | 頁數 Page | 2/2 |
| | 品號 PART NO. | 5HSPC02-14XXXXXX-02 | | | 繪圖 DRAWN | David 2019/03/22 |
| | 圖號 DRAWING NO. | GN189-DV012 | 版本 REV. | C | 核對 CHECKED | Josh 2019/03/22 |
| | 客戶品號 CUSTOMER P/N | | 比例 SCALE | None | 承認 APPROVED | Josh 2019/03/22 |
| | 公差 TOLERANCE | .X ± 0.25 .XX ± 0.20 | 單位 UNIT | mm | THIRD ANGLE PROJECTION |  |