

ORDER INFORMATION

SPECIFICATION

RATED CURRENT: 0.5A
INSULATION RESISTANCE: 500MΩ MIN
CONTACT RESISTANCE: 20mΩ MAX
DIELECTRIC STRENGTH: 500V AC FOR ONE MINUTE
OPERATING TEMPERATURE: -40 °C to +105 °C

MATERIAL

HOUSING: NYLON 9T, UL 94V-0, BLACK
TERMINAL: BRASS

5 B B 1 2 1 C X X M - X X X X U X - X X

DIM. OF C
39: 3.95
59: 5.95

NO. OF CONTACTS
04-08,10,17,20

G0:GOLD FLASH GF:15u"
GB:10u" GD:30u"
T0:TIN PLATED

R:T/R WITH CAP

01:W/O PEG
02:WITH PEG

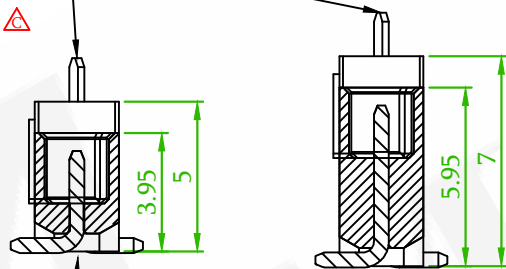
0.15	22.08	25.85	25.45	5.95	23.75	26.45	20
	18.33	22.10	21.70		20.00	22.70	17
0.10	9.58	13.35	12.95	3.95	11.25	13.95	10
	7.08	10.85	10.45		8.75	11.45	8
	5.83	9.60	9.20		7.50	10.20	7
	4.58	8.35	7.95		6.25	8.95	6
M	3.33	7.10	6.70	2.08	5.00	7.70	5
	2.08	5.85	5.45		3.75	6.45	4
	F	E	D	C	B	A	PIN

DIMENSION(mm)		
FEMALE P/N	MALE P/N	MATED HEIGHT
5BB121C34F-XXXXUR-XX	5BB121C39M-XXXXUR-0X	5.0
	5BB121C59M-XXXXUR-0X	7.0

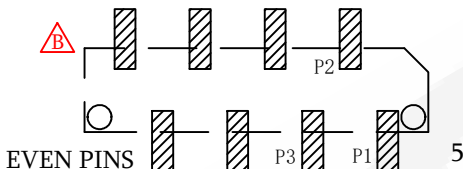
TABLE 1

PIN	DIM G
4-5	3.8
6-20	6.5

5BB121C34F-XXXXUX-03

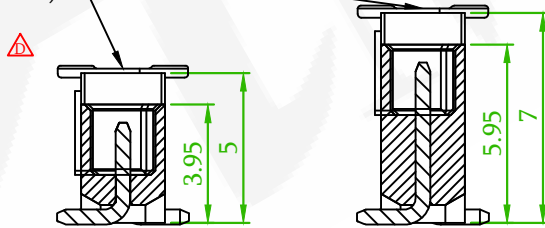


5BB121C39M-XXXXUR-0X



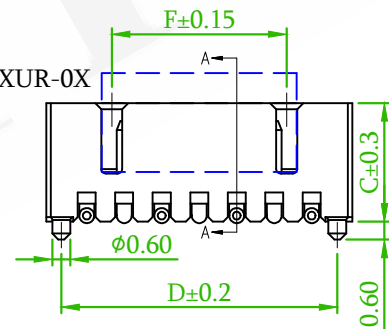
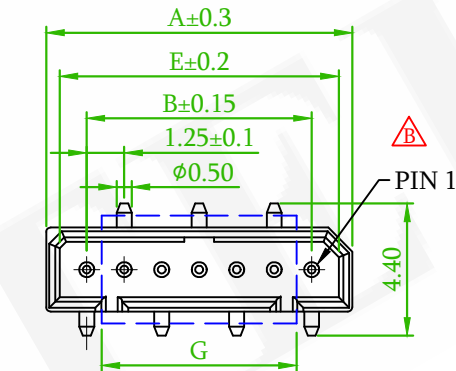
RECOMMENDED PCB LAYOUT
(PCB TOLERANCE ±0.05)

5BB121C34F-XXXXUX-XX(04-05)



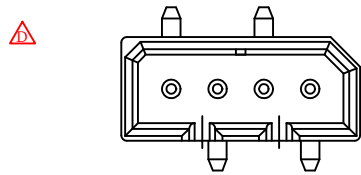
5BB121C39M-XXXXUR-0X

5BB121C59M-XXXXUR-0X

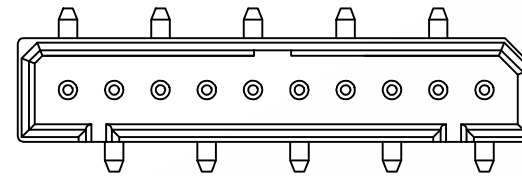


品名 TITLE		BOARD TO BOARD 1.25mm SMT V/T TYPE				頁數 Page
品號 PART NO.	5BB121CXXM-XXXXUX-XX(01-02)	繪圖 DRAWN		Gary		1/2
圖號 DRAWING NO.	GN003-GA448	版本 REV.	D	核對 CHECKED	Josh	
客戶品號 CUSTOMER P/N		比例 SCALE	None	承認 APPROVED	Jason	
公差 TOLERANCE	.X ± 0.40 .XX ± 0.25	單位 UNIT	mm	THIRD ANGLE PROJECTION		

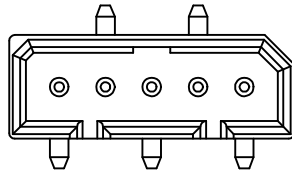
△	ECN-202604015	Willy	2026/04/17
△x1	ECN-200110.: ADD THE M/H	Benson	2020/03/13
△x3	ADD THE DRAWING OF EVEN PINS, ADD THE MARK OF PIN 1.	Gary	2018/01/31
REV.	ECN NO. OR DESCRIPTION	REVISED	DATE



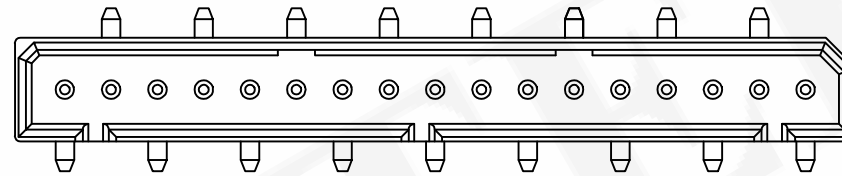
4PIN



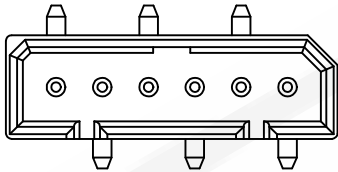
10PIN



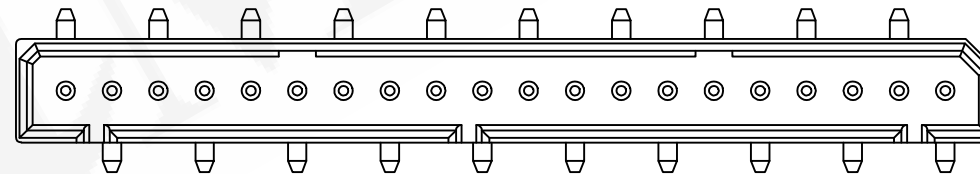
5PIN



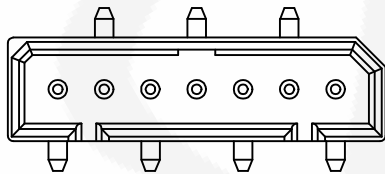
17 PIN



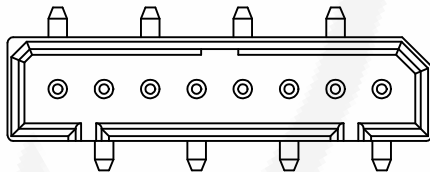
6PIN



20 PIN



7PIN



8PIN

	ECN-202604015	Willy	2026/04/17
	ECN-200110.: ADD THE M/H	Benson	2020/03/13
	ADD THE DRAWING OF EVEN PINS, ADD THE MARK OF PIN 1.	Gary	2018/01/31
REV.	ECN NO. OR DESCRIPTION	REVISED	DATE



懋德精密有限公司
Amtek Technology Co., Ltd.
TEL: 886-2-2260-6878
FAX: 886-2-2260-8030

品名 TITLE	BOARD TO BOARD 1.25mm SMT V/T TYPE				頁數 Page	2/2
品號 PART NO.	5BB121CXXM-XXXXUX-XX(01-02)			繪圖 DRAWN	Gary 2017/08/02	
圖號 DRAWING NO.	GN003-GA448	版本 REV.	D	核對 CHECKED	Josh 2018/01/31	
客戶品號 CUSTOMER P/N		比例 SCALE	None	承認 APPROVED	Jason 2018/01/31	
公差 TOLERANCE	.X ± 0.40 .XX ± 0.25	單位 UNIT	mm	THIRD ANGLE PROJECTION		