

ORDER INFORMATION

SPECIFICATION

CURRENT RATING: 3 AMP
INSULATION RESISTANCE: 1000MΩ MIN.
CONTACT RESISTANCE: 30mΩ MAX.
DIELECTRIC VOLTAGE: 500V AC AT SEA LEVEL △B

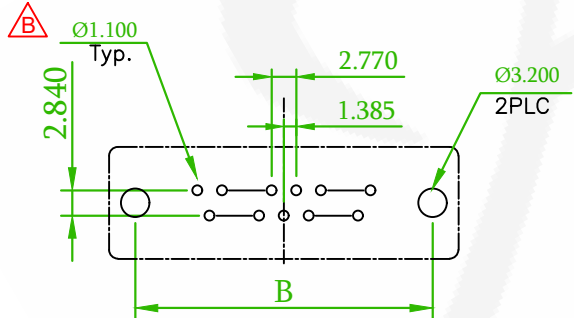
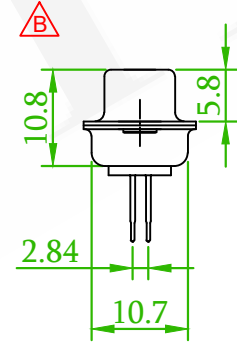
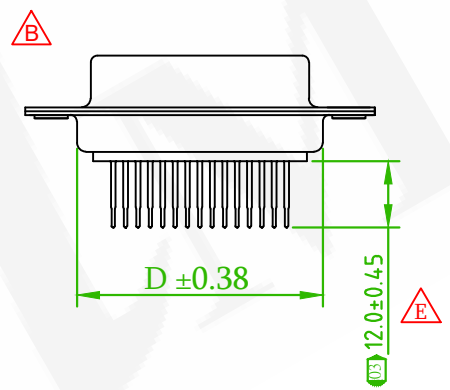
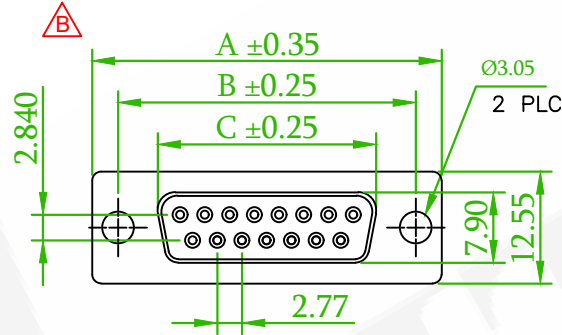
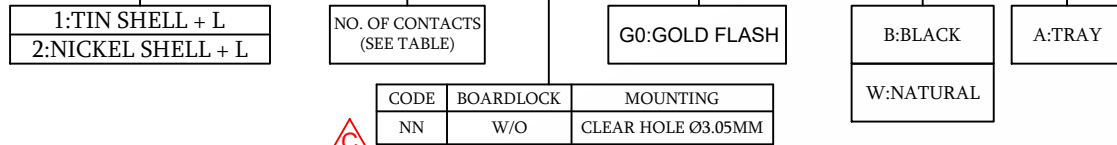
MATERIAL

HOUSING: PBT,UL94V-0
TERMINAL: COPPER ALLOY
SHELL: SPCC.
BOARDLOCK: COPPER ALLOY.

NOTE

SYMBOL "03" MEANS SERIAL AS ORDER INFORMATION SHOWN

57MDDSXF - XX XX XX XX XX - 03



RECOMMENDED PCB LAYOUT
(PCB TOLERANCE ± 0.05)

No.	A	B	C	D
09	30.81	24.99	16.33	19.15
15	39.14	33.32	24.75	27.65
25	53.04	47.04	38.33	41.10
37	69.40	63.50	54.75	57.33

Old P/N:MDBD-FXX-A-12.0-L

△E	ECN 202604057	Willy	2026/05/08
△D	ECN 202501021	Benson	2025/02/10
△C	BPM 20241209003	Benson	2024/12/11
REV.	ECN NO. OR DESCRIPTION	REVISED	DATE

 糧德精密有限公司 Amtek Technology Co., Ltd. TEL: 886-2-2260-6878 FAX: 886-2-2260-8030	品名 TITLE	D-SUB MACHINE PIN DIP V/T TYPE			頁數 Page	1/1
	品號 PART NO.	57MDDSXF-XXXXXXXX-03(CN068)			繪圖 DRAWN	Jeff 2012/12/06
	圖號 DRAWING NO.	GN010-GA972	版本 REV.	E	核對 CHECKED	Sharron 2012/12/06
	客戶品號 CUSTOMER P/N		比例 SCALE	None	承認 APPROVED	John 2012/12/06
	公差 TOLERANCE	.X±0.35 .XX±0.25	.XXX±0.15	單位 UNIT	mm	THIRD ANGLE PROJECTION