

MATERIAL:

1. BRASS

NOTE:

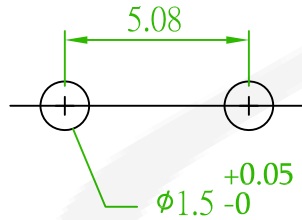
- 1. BEST USE DATE FOR TIN PLATED PARTS ARE WITHIN THREE MONTHS SINCE MFG DATE.
- 2. FINISH: TIN PLATED. IF PARTS ARE NOT USED UP PLEASE STORE IN A SEAL BAG.

ORDER INFORMATION

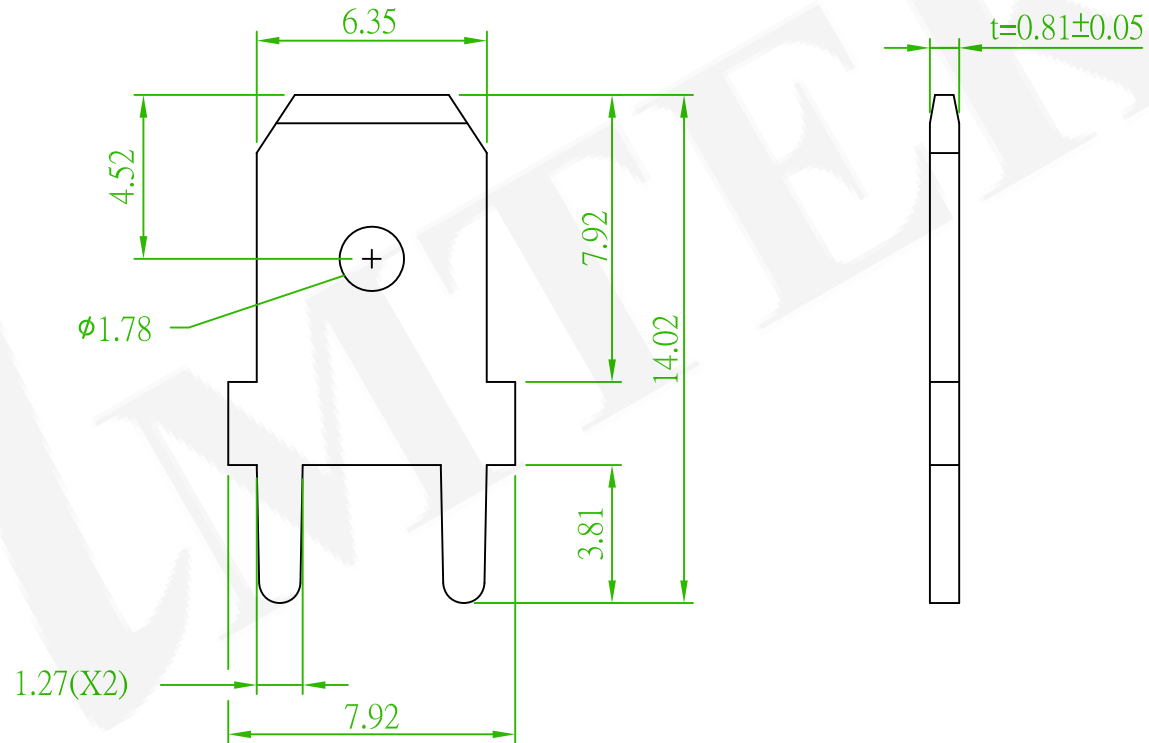
5 G B S - 0 0 7 X X - A 1

T0: Tin Plated
TM: Matte Tin

AMTEK 耀德
2020.01.09
Released DCC



Mounting Hole



RoHS Compliant	
★Pb	<1000PPM
★Cd	< 100PPM
★Hg	<1000PPM
★Cr6+	<1000PPM
★PBBs	<1000PPM
★PBDEs	<1000PPM

REV.	ECN NO. OR DESCRIPTION	REVISED	DATE

耀德精密有限公司
Amtek Technology Co., Ltd.
TEL: 886-2-2260-6878
FAX: 886-2-2260-8030

品名 TITLE	P.C.B Terminal				頁數 Page	1/1
品號 PART NO.	5GBS-007XX-A1				繪圖 DRAWN	David 2020/01/03
圖號 DRAWING NO.	GW018-DV608	版本 REV.	A	核對 CHECKED	Josh 2020/01/03	
客戶品號 CUSTOMER P/N		比例 SCALE	None	承認 APPROVED	Josh 2020/01/03	
公差 TOLERANCE	±0.2	單位 UNIT	mm	THIRD ANGLE PROJECTION		