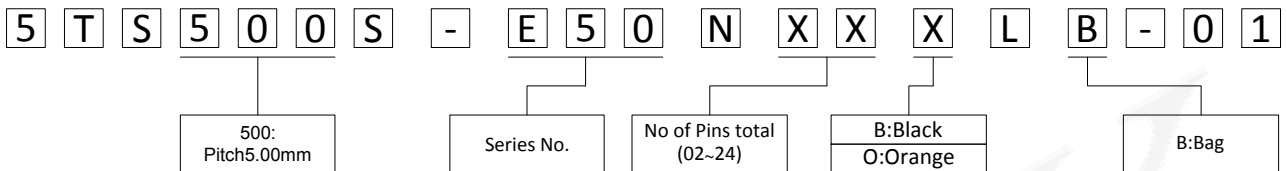


SPECIFICATION

Standard: UL IEC
 Rated Voltage: 300V 250V
 Rated Current: 15A 18A
 Contact resistance:20mΩ
 Insulation Resistance: 500MΩ / DC 500V
 Wire range:30~14AWG 1.5mm²
 Withstanding Voltage: AC 2000V for one minute

ORDER INFORMATION



MECHANICAL

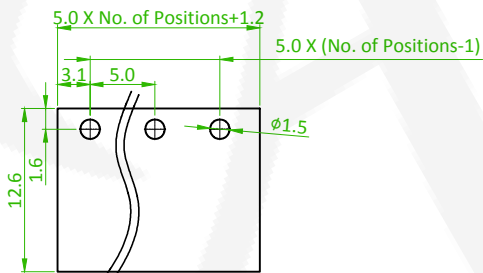
Torque:0.4Nm(3.6Lb.in)
 Strip Length:6-7mm
 Temp.Range:-40°C~+105°C
 MAX Soldering:+250°C,for 5 Sec

DIMENSIONS

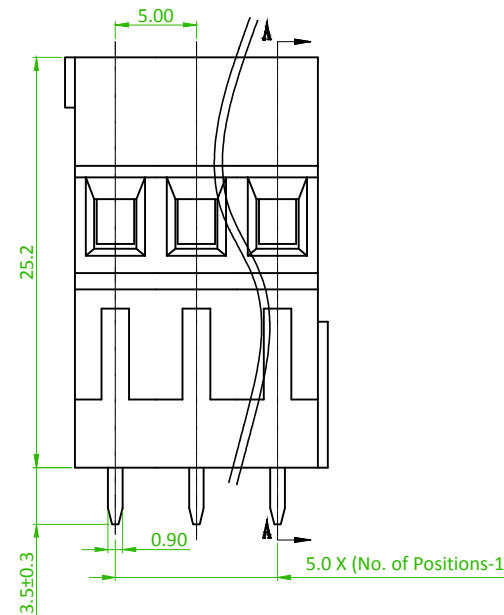
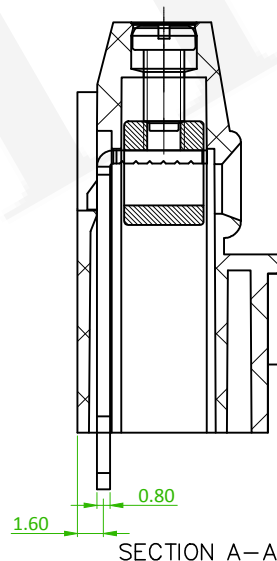
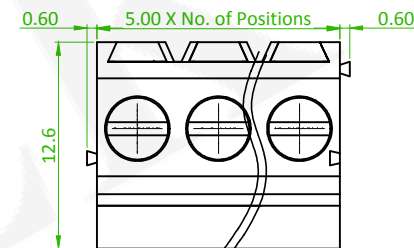
Pitch:5.0mm
 Poles:02~24P

MATERIAL

Housing:PA 66, UL94V-0
 Screws:M2.5 Steel,Zn plated
 Pin header:Brass 0.8t,Tin plated
 Cage:Brass,Ni plated



P.C.B. LAYOUT



Old Part No. :TB500H-5.0-XXP-1X-00A-L

linear dimension(Tolerances Standard GB/T 14486-2008)							—	□	⊥
variable range	to 6	over 6 to 10	over 10 to 30	over 30 to 60	over 60 to 100	over 100 to 160	to 10	over 10 to 100	over 100 to
tolerance	±0.20	±0.30	±0.50	±0.70	±1.00	±1.30 ±1.60	0.10	0.30	0.60

REV.	ECN NO. OR DESCRIPTION	REVISED	DATE
△x1	ECN NO.:200718 Revise the Tolerance	Alice	2020/12/08

糧德精密有限公司
 Amtek Technology Co., Ltd.
 TEL: 886-2-2260-6878
 FAX: 886-2-2260-8030

品名 TITLE	Terminal Block				頁數 Page	1/1
品號 PART NO.	5TS500S-E50NXXXLB-01			繪圖 DRAWN	Mia 2017/04/13	
圖號 DRAWING NO.	GN110-MC362	版本 REV.	B	核對 CHECKED	Jonny 2017/04/13	
客戶品號 CUSTOMER P/N		比例 SCALE	None	承認 APPROVED	Aaron 2017/04/13	
公差 TOLERANCE		單位 UNIT	mm	THIRD ANGLE PROJECTION		