

### ELECTRICAL

Standard: UL IEC  
 Rated Voltage: 300V 250V <sup>B</sup>  
 Rated Current: 8A 15A <sup>B</sup>  
 Wire Range: 26-14AWG 1.5mm<sup>2</sup>  
 Dielectric Voltage: AC 2000V for one minute

### MECHANICAL

Torque: 3Kgf. cm <sup>B</sup>  
 Strip Length: 6~7mm  
 Temp. Range: -40°C ~ +105°C

### MATERIAL

Housing: Nylon 66, UL94V-0  
 Screws: M2.5, Steel, Zn Plated  
 Pin Header: Brass, Tin Plated  
 Wire Guard: Phosphor, Ni Plated

## ORDER INFORMATION

5 T S 5 0 0 S - 1 2 6 N X X X L B - 0 X <sup>D</sup>

500:  
Pitch 5.00mm

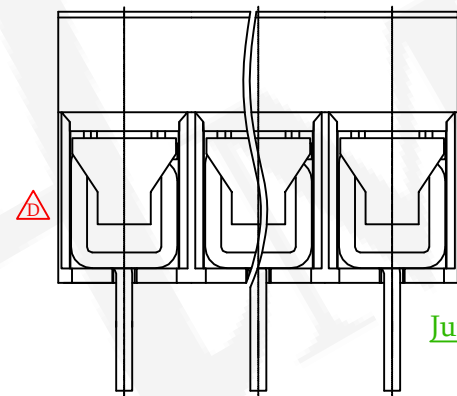
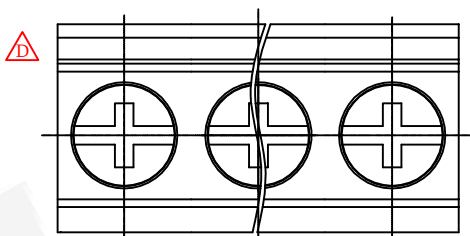
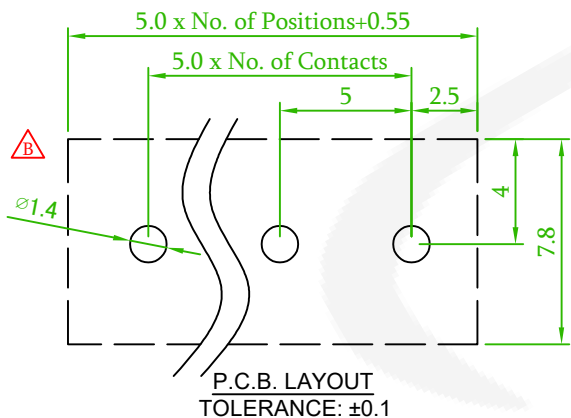
Series No.

No of Pins total  
(02~24P)

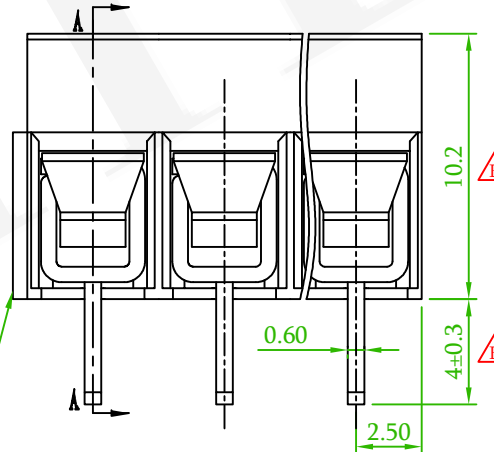
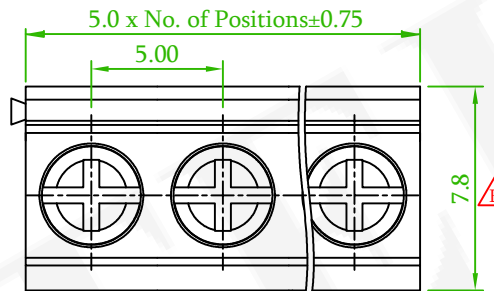
G: Gray	O: Orange
U: Blue	R: Red
B: Black	T: Trans-parent
E: Green	N: Brown
W: White	

L: RoHS + Nylon 66  
 Soldering Temperature:  
 200 / 230°C / 5~10 Sec  
 ☆Remark  
 Blank: Non RoHS

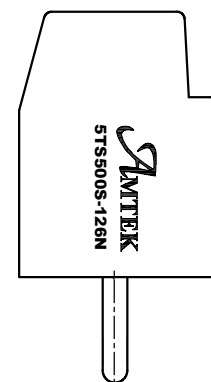
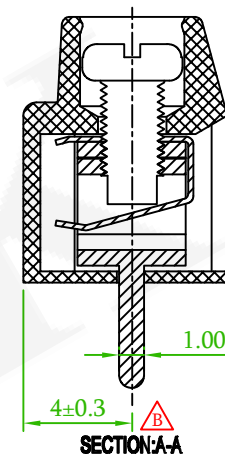
1: With juncture  
 2: Without juncture



Without juncture



Juncture



linear dimension (Tolerances Standard GB/T 14486-2008)										
variable range	to 6	over 6 to 10	over 10 to 30	over 30 to 60	over 60 to 100	over 100 to 160	to 10	over 10 to 100	over 100 to	
tolerance	±0.20	±0.30	±0.50	±0.70	±1.00	±1.30	±1.60	0.10	0.30	0.60

<sup>E</sup> x1	Add the Amtek LOGO	Benson	2023/02/09
<sup>D</sup> x4	ECN NO:220603 Revise the drawing	Alice	2022/06/27
<sup>D</sup> x1	ECN NO:200718 Revise the Tolerance	Alice	2020/12/07
REV.	ECN NO. OR DESCRIPTION	REVISED	DATE

糧德精密有限公司  
 Amtek Technology Co., Ltd.  
 TEL: 886-2-2260-6878  
 FAX: 886-2-2260-8030

品名 TITLE	Terminal Block				頁數 Page	1/1
品號 PART NO.	<sup>D</sup> 5TS500S-126NXXXLB-0X			繪圖 DRAWN	Mia 2016/10/27	
圖號 DRAWING NO.	GN011-MC004	版本 REV.	E	核對 CHECKED	Jonny 2016/10/27	
客戶品號 CUSTOMER P/N		比例 SCALE	None	承認 APPROVED	Aaron 2016/10/27	
公差 TOLERANCE	.X ±0.20 .XX ±0.10	單位 UNIT	mm	THIRD ANGLE PROJECTION		

Old Part No. :TB126-5.0-XXP-1X-00A-L