

**ELECTRICAL**

Standard: UL IEC  
 Rated Voltage: 300V 250V  
 Rated Current: 16A 24A  
 Contact Resistance: 20mΩ  
 Wire Range: 24-12AWG 2.5mm<sup>2</sup>  
 Withstanding Voltage: AC 2000V for 1 minute  
 Insulation Resistance: 500MΩ/500V

**MECHANICAL**

Torque: 0.4Nm(3.6Lb'in)  
 Strip Length: 6~7mm  
 Temp. Range: -40°C ~ +105°C  
 MAX Soldering: +250°C, for 5Sec

**MATERIAL**

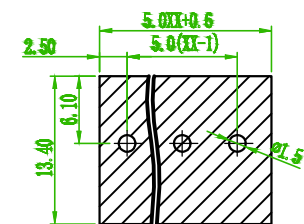
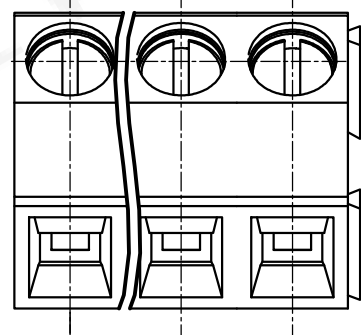
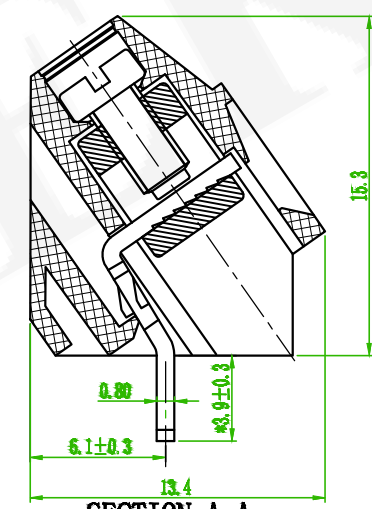
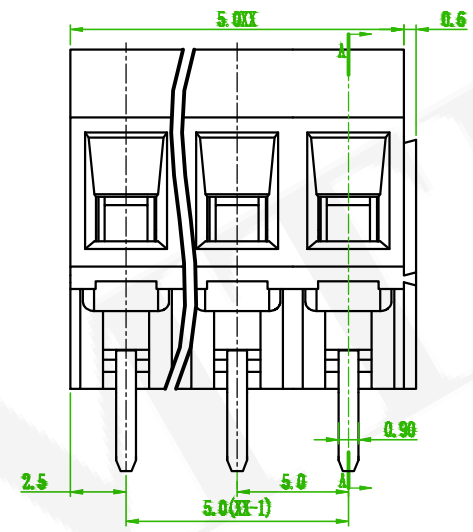
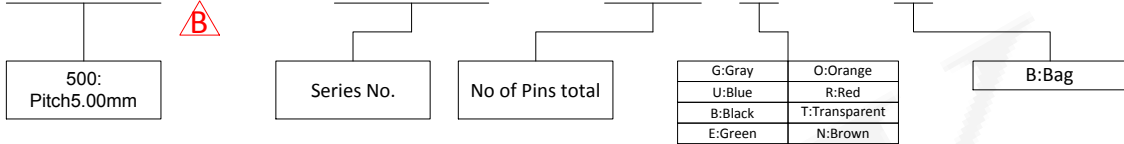
Housing: PA 66, UL94V-0  
 Screws: M2.5, Steel, Zn Plated  
 Pin Header: Copper alloy, Sn Plated  
 Cage: Copper alloy, Ni Plated

**DIMENSIONS**

Pitch: 5.0mm  
 Poles: 2P-24P

**ORDER INFORMATION**

5 T S 5 0 0 L - 1 0 3 N X X X L B - 0 1



linear dimension (Tolerances Standard GB/T 14486-2008)								—	∕	⊥
variable range	to 6	over 6 to 10	over 10 to 30	over 30 to 60	over 60 to 100	over 100 to 160	over 160 to 10	over 10 to 100	over 100 to	
tolerance	±0.20	±0.30	±0.50	±0.70	±1.00	±1.30	±1.60	0.10	0.30	0.60

Old Part No. :TB103-5.0-XXP-1X-00A-L

△x1	ECN NO:200718 Revise the Tolerance	Alice	2020/12/07
△B	Revised the Part No. :5TS500S-103NXXXLB-01 ->5TS500L-103NXXXLB-01	B	2017/01/03
REV.	ECN NO. OR DESCRIPTION	REVISED	DATE

**糧德精密有限公司**  
 Amtek Technology Co., Ltd.  
 TEL: 886-2-2260-6878  
 FAX: 886-2-2260-8030

品名 TITLE	Terminal Block				頁數 Page	1/1
品號 PART NO.	△B 5TS500L-103NXXXLB-01			繪圖 DRAWN	Mia 2016/10/18	
圖號 DRAWING NO.	GN011-MC184	版本 REV.	C	核對 CHECKED	Jonny 2016/10/18	
客戶品號 CUSTOMER P/N		比例 SCALE	None	承認 APPROVED	Aaron 2016/10/18	
公差 TOLERANCE		單位 UNIT	mm	THIRD ANGLE PROJECTION		