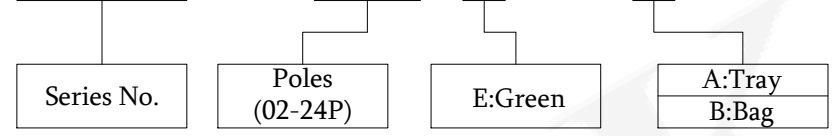


**ELECTRICAL**

Standard: UL IEC  
 Rated Voltage: 300V 250V  
 Rated Current: 10A 10A  
 Contact Resistance: 20mΩ  
 Withstanding Voltage: AC 2000V for one min  
 Insulation Resistance: 500MΩ  
 Wire range: 24-18AWG 0.75mm<sup>2</sup>

**ORDER INFORMATION**

5 T S 3 9 6 R - 3 9 6 N X X E L X - 0 1



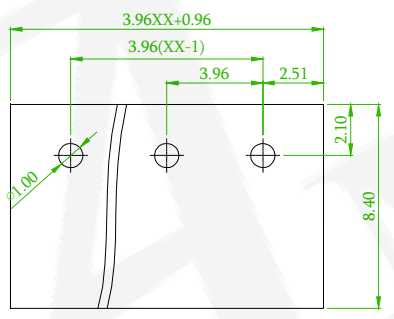
**MECHANICAL**

Temp. Range: -40°C ~ +105°C  
 Torque: 0.2Nm

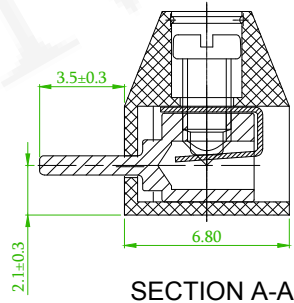
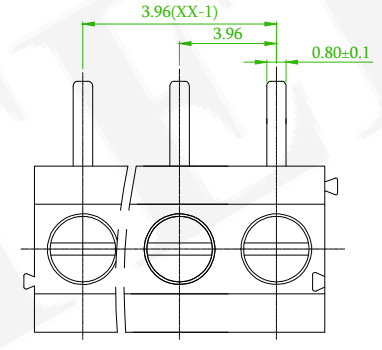
Steip length: 4.5-5mm

**MATERIAL**

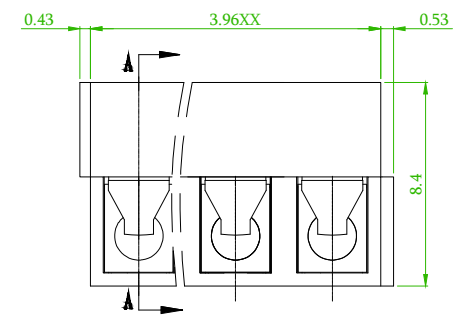
Housing: PA66, UL94V-0  
 Pin header: Brass, Tin plated  
 Screws: M2.0 Steel Zn plated  
 Shrapnel: Phosphor bronze, Ni plated



Recommended PCB Layout



SECTION A-A



linear dimension(Tolerances Standard GB/T 14486-2008)								—	▯	⊥
variable range	to 6	over 6 to 10	over 10 to 30	over 30 to 60	over 60 to 100	over 100 to 160	over 160 to	to 10	over 10 to 100	over 100 to
tolerance	±0.20	±0.30	±0.50	±0.70	±1.00	±1.30	±1.60	0.10	0.30	0.60

REV.	ECN NO. OR DESCRIPTION	REVISED	DATE
△x1	ECN NO:200718 Revise the Tolerance	Alice	2020/12/07

 權德精密有限公司 Amtek Technology Co., Ltd. TEL: 886-2-2260-6878 FAX: 886-2-2260-8030	品名 TITLE	3.96mm Terminal Block			頁數 Page	1/1	
	品號 PART NO.	5TS396R-396NXXELX-01		繪圖 DRAWN	Eric 2018/12/13		
	圖號 DRAWING NO.	GN011-EA570	版本 REV.	B	核對 CHECKED	Josh 2018/12/13	
	客戶品號 CUSTOMER P/N		比例 SCALE	None	承認 APPROVED	Jason 2018/12/13	
	公差 TOLERANCE		單位 UNIT	mm	THIRD ANGLE PROJECTION		