

# ORDER INFORMATION

## Electrical

Standard: UL IEC  
 Rated Voltage: 125V 250V  
 Rated Current: 10A 10A  
 Contact Resistance: 20mΩ  
 Insulation Resistance: 500MΩ / DC 500V  
 Withstanding Voltage: AC 2000V for one min  
 Wire Range: 24-18AWG

## Mechanical

Torque: 0.2Nm  
 Steip Length: 4.5-5mm  
 Temp. Range: -40°C ~ +105°C  
 Max Soldering: +250°C, for 5 Sec

## Dimensions

Pitch: 3.5mm  
 Poles: 2P-24P

## Material

Housing: PA66, UL94V-0  
 Screws: M2.0 Steel Zn plated  
 Pin header: Copper Alloy, Tin plated  
 Shrapnel: Phosphor bronze, Ni plated

5 T S 3 5 0 R - 3 5 0 N X X X L B - 0 1

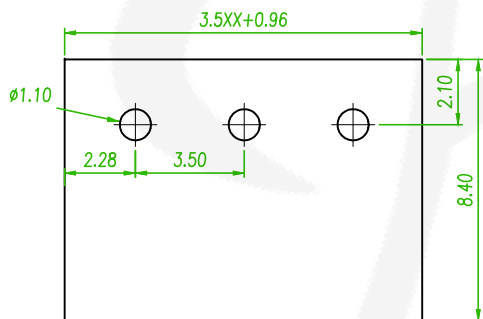
350:  
Pitch 3.5mm

Series No.

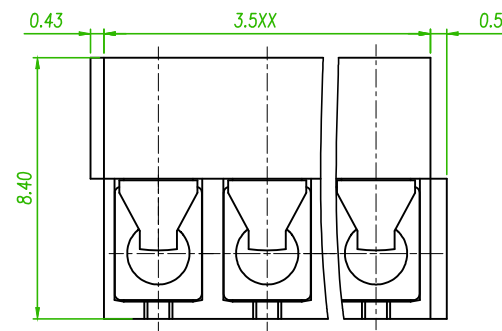
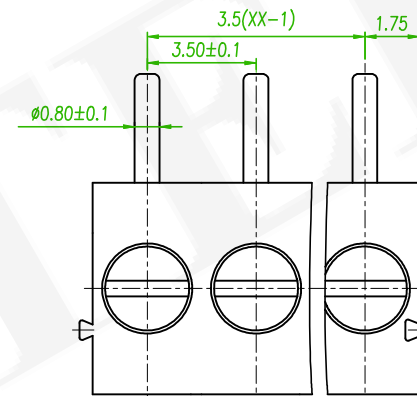
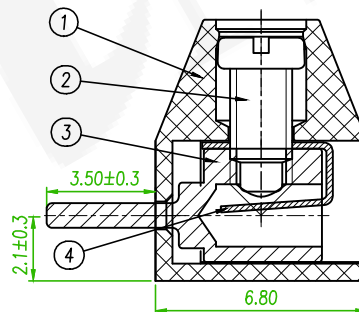
No of Pins total

G: Gray	O: Orange
U: Blue	R: Red
B: Black	T: Transparent
E: Green	N: Brown
	W: White

B: Bag



P.C.B. LAYOUT



linear dimension (Tolerances Standard GB/T 14486-2008)



variable range	to 6	over 6 to 10	over 10 to 30	over 30 to 60	over 60 to 100	over 100 to 160	over 160 to 10	over 10 to 100	over 100 to 100	
tolerance	±0.20	±0.30	±0.50	±0.70	±1.00	±1.30	±1.60	0.10	0.30	0.60



ECN NO: 200718 Revise the Tolerance

Alice

2020/12/04

REV.

ECN NO. OR DESCRIPTION

REVISED

DATE



糧德精密有限公司  
Amtek Technology Co., Ltd.

TEL: 886-2-2260-6878  
FAX: 886-2-2260-8030

品名 TITLE	Terminal Block				頁數 Page	1/1
品號 PART NO.	5TS350R-350NXXXLB-01			繪圖 DRAWN	Mia 2016/08/05	
圖號 DRAWING NO.	GN011-AL618		版本 REV.	B	核對 CHECKED	Boris 2016/08/05
客戶品號 CUSTOMER P/N			比例 SCALE	None	承認 APPROVED	Boris 2016/08/05
公差 TOLERANCE			單位 UNIT	mm	THIRD ANGLE PROJECTION	