

ELECTRICAL

Standard: UL IEC
 Rated Voltage: 300V 250V
 Rated Current: 10A 15A
 Contact Resistance: 20mΩ
 Withstanding Voltage: AC 2000V for one min
 Insulation Resistance: 500MΩ
 Wire range: 26-14AWG 1.5mm²

ORDER INFORMATION

5 T R 5 0 0 R - 2 1 1 N X X G L X - W 1

Series No. Poles (01-XXP) G:Gray A:Tray B:Bag



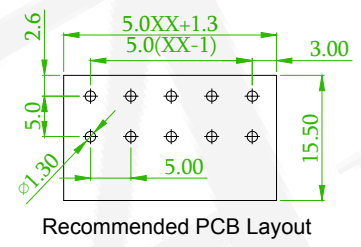
AMTEK 糧德
 2021.01.13
 Released DCC

MECHANICAL

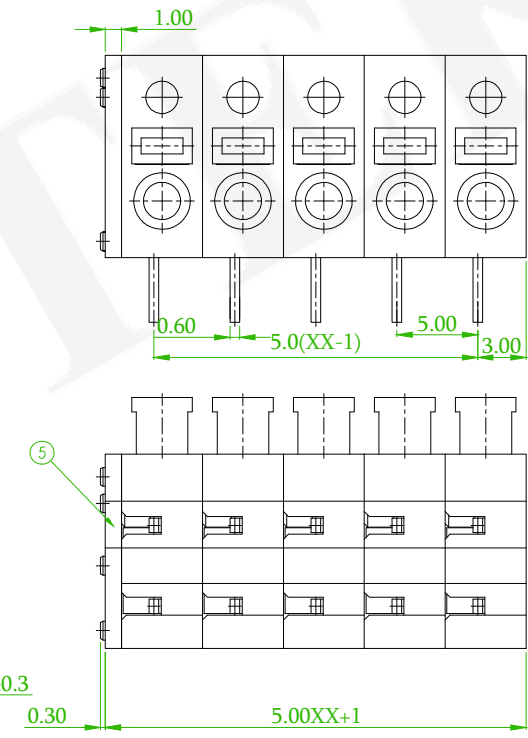
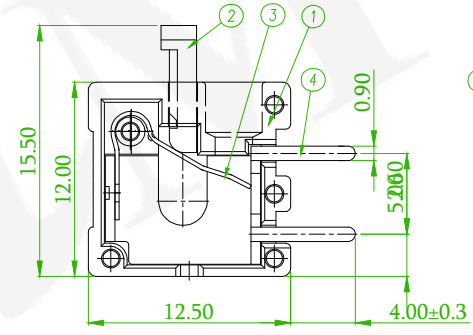
Temp. Range: -40°C ~ +105°C
 Steip length: 11mm

MATERIAL

Housing: PA66, UL94V-0
 Pin header: Brass, Tin plated
 Wire guard: Stainless steel



Recommended PCB Layout



linear dimension(Tolerances Standard GB/T 14486-2008)								—	▯	⊥
variable range	to 6	over 6 to 10	over 10 to 30	over 30 to 60	over 60 to 100	over 100 to 160	over 160 to 10	over 10 to 100	over 100 to 100	
tolerance	±0.20	±0.30	±0.50	±0.70	±1.00	±1.30	±1.60	0.10	0.30	0.60

△x2	ECN NO:201126 Revise the PART NO.	Alice	2020/12/14
△Bx1	ECN NO:200718 Revise the Tolerance	Alice	2020/10/06
REV.	ECN NO. OR DESCRIPTION	REVISED	DATE

糧德精密有限公司
 Amtek Technology Co., Ltd.
 TEL: 886-2-2260-6878
 FAX: 886-2-2260-8030

品名 TITLE	5.0mm Terminal Block				頁數 Page	1/1
品號 PART NO.	△5TP500R-211NXXGLX-W1			繪圖 DRAWN	Eric 2018/12/24	
圖號 DRAWING NO.	GN011-EA374		版本 REV.	C	核對 CHECKED	Josh 2018/12/24
客戶品號 CUSTOMER P/N			比例 SCALE	None	承認 APPROVED	Jason 2018/12/24
公差 TOLERANCE			單位 UNIT	mm	THIRD ANGLE PROJECTION	