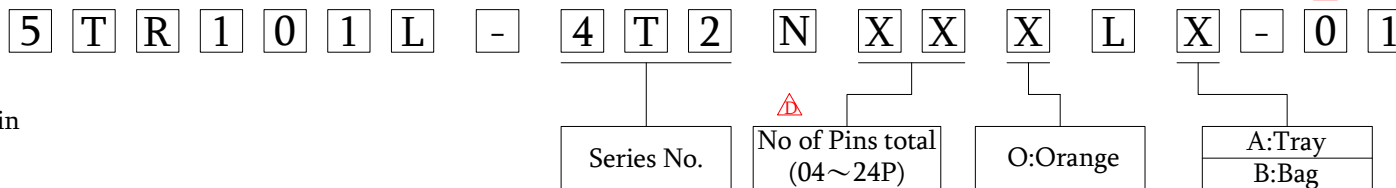


**ELECTRICAL**

Standard: UL IEC  
 Rated Voltage: 300V 1000V  
 Rated Current: 10A 21A  
 Contact Resistance: 20mΩ  
 Withstanding Voltage: AC 2000V for one min  
 Insulation Resistance: 500MΩ  
 Wire range: 28-12AWG 2.5mm<sup>2</sup>

**ORDER INFORMATION**

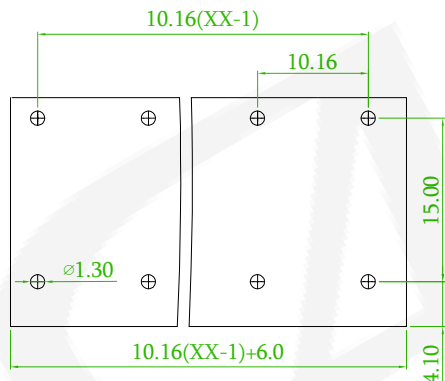


**MECHANICAL**

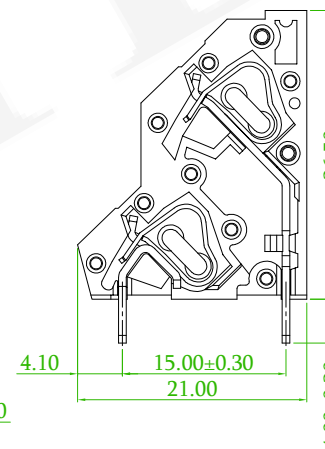
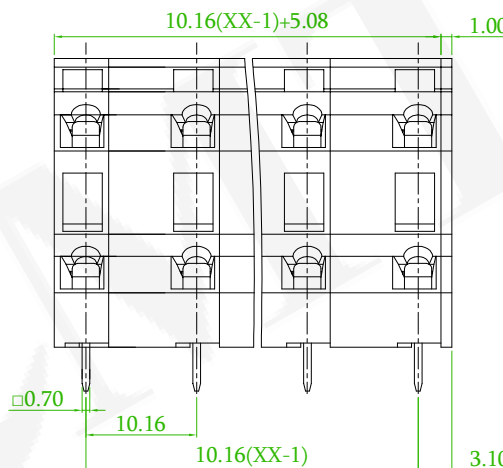
Temp. Range: -40°C ~ +105°C  
 Steip length: 6-7mm

**MATERIAL**

Housing: PA66, UL94V-0  
 Pin header: Copper alloy, Sn plated  
 Shrapnel: Stainless steel



Recommended PCB Layout  
 (PCB TOLERANCE ±0.05)



linear dimension(Tolerances Standard GB/T 14486-2008)								—	∕	⊥
variable range	to 6	over 6 to 10	over 10 to 30	over 30 to 60	over 60 to 100	over 100 to 160	over 160 to 10	over 10 to 100	over 100 to	
tolerance	±0.20	±0.30	±0.50	±0.70	±1.00	±1.30	±1.60	0.10	0.30	0.60

△	ECN NO.: 230714 Revise the PART NO	Randy	2023/09/23
△x1	ECN NO.:220814 Revise the PART NO.	Tim	2022/09/16
△x2	ECN NO.:201126 Revise the PART NO.	Alice	2020/12/11
REV.	ECN NO. OR DESCRIPTION	REVISED	DATE

**糧德精密有限公司**  
 Amtek Technology Co., Ltd.  
 TEL: 886-2-2260-6878  
 FAX: 886-2-2260-8030

品名 TITLE	10.16mm Terminal Block				頁數 Page	1/1
品號 PART NO.	△ 5TR101L-4T2NXXXLX-01 △			繪圖 DRAWN	Eric 2018/12/26	
圖號 DRAWING NO.	GN011-EA391	版本 REV.	E	核對 CHECKED	Josh 2018/12/26	
客戶品號 CUSTOMER P/N		比例 SCALE	None	承認 APPROVED	Jason 2018/12/26	
公差 TOLERANCE		單位 UNIT	mm	THIRD ANGLE PROJECTION		