

ELECTRICAL

Standard: UL IEC
 Rated Voltage: 300V 400V
 Rated Current: 30A 32A
 Contact Resistance: 20mΩ
 Withstanding Voltage: AC 2000V for one min
 Insulation Resistance: 500MΩ

MECHANICAL

Temp. Range: -40°C ~ +105°C

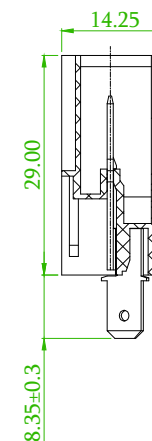
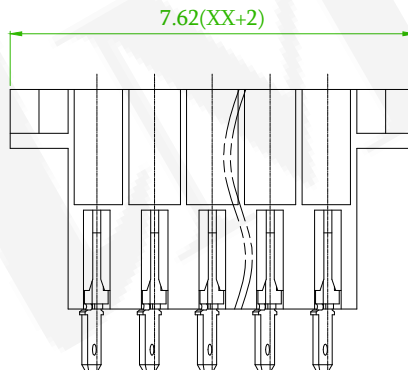
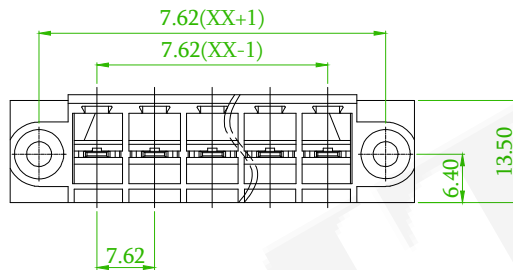
MATERIAL

Housing: PA66, UL94V-0
 Conductor: Copper alloy, Sn plated

ORDER INFORMATION

5 T P 7 6 2 S - 3 C M E X X E L X - 0 1

Series No. Poles (02-12P) E:Green A:Tray B:Bag



linear dimension (Tolerances Standard GB/T 14486-2008)



variable range	to 6	over 6 to 10	over 10 to 30	over 30 to 60	over 60 to 100	over 100 to 160	to 10	over 10 to 100	over 100
tolerance	±0.20	±0.30	±0.50	±0.70	±1.00	±1.30 ±1.60	0.10	0.30	0.60

糧德精密有限公司
 Amtek Technology Co., Ltd.
 TEL: 886-2-2260-6878
 FAX: 886-2-2260-8030

品名 TITLE	7.62mm Terminal Block				頁數 Page	1/1
品號 PART NO.	5TP762S-3CMEXXELX-01			繪圖 DRAWN	Eric 2018/12/11	
圖號 DRAWING NO.	GN011-EA240	版本 REV.	B	核對 CHECKED	Josh 2018/12/11	
客戶品號 CUSTOMER P/N		比例 SCALE	None	承認 APPROVED	Jason 2018/12/11	
公差 TOLERANCE		單位 UNIT	mm	THIRD ANGLE PROJECTION		

REV.	ECN NO.:200718 Revise the Tolerance	Alice	2020/09/30
	ECN NO. OR DESCRIPTION	REVISED	DATE