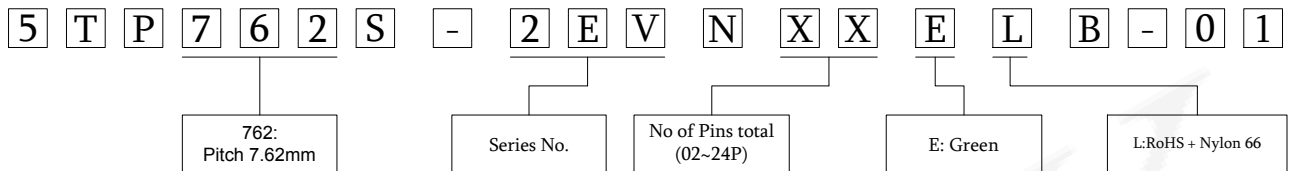


ORDER INFORMATION



ELECTRICAL

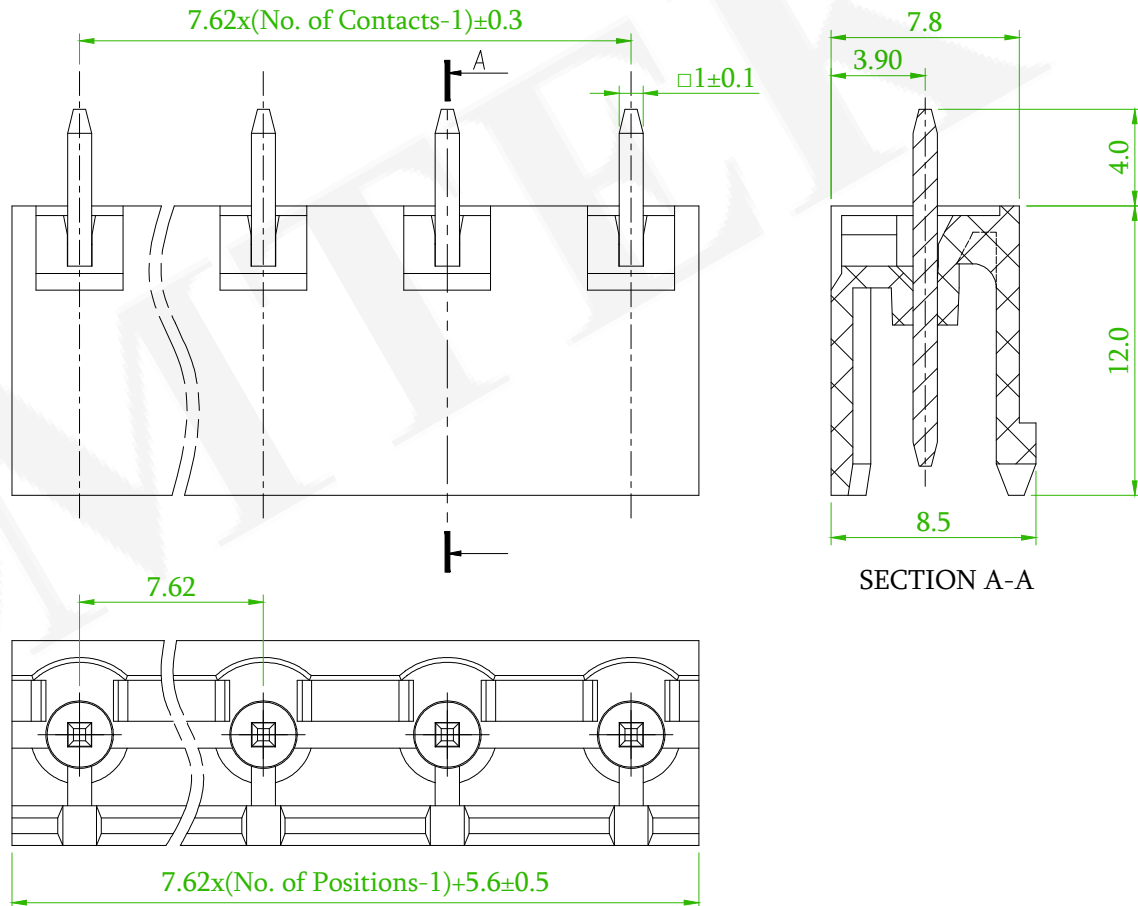
Standard: UL IEC
 Rated Voltage: 300V 400V
 Rated Current: 15A 10A
 Contact Resistance: 20mΩ Max.
 Insulation Resistance: 500MΩ Min.
 Dielectric Voltage: AC 2000V for one minute

MECHANICAL

Temp. Range: -40°C ~ +105°C

MATERIAL

Housing: Nylon 66, UL94V-0
 Pin Header: Brass, Tin Plated



Old Part No. :TB2EV-7.62



linear dimension(Tolerances Standard GB/T 14486-2008)								—	∠	⊥
variable range	to 6	over 6 to 10	over 10 to 30	over 30 to 60	over 60 to 100	over 100 to 160	over 160 to 10	over 10 to 100	over 100 to 100	
tolerance	±0.20	±0.30	±0.50	±0.70	±1.00	±1.30	±1.60	0.10	0.30	0.60

REV.	ECN NO. OR DESCRIPTION	REVISED	DATE
B x1	ECN NO.:200718 Revise the Tolerance	Alice	2020/09/30

糧德精密有限公司
 Amtek Technology Co., Ltd.
 TEL: 886-2-2260-6878
 FAX: 886-2-2260-8030

品名 TITLE	Terminal Block 1.27mm				頁數 Page	1/1
品號 PART NO.	5TP762S-2EVNXXELB-01			繪圖 DRAWN	Gary 2017/09/08	
圖號 DRAWING NO.	GN011-GA612	版本 REV.	B	核對 CHECKED	Carol 2017/09/08	
客戶品號 CUSTOMER P/N		比例 SCALE	None	承認 APPROVED	Jason 2017/09/08	
公差 TOLERANCE	.X ±0.38 .XX ±0.25	單位 UNIT	mm	THIRD ANGLE PROJECTION		