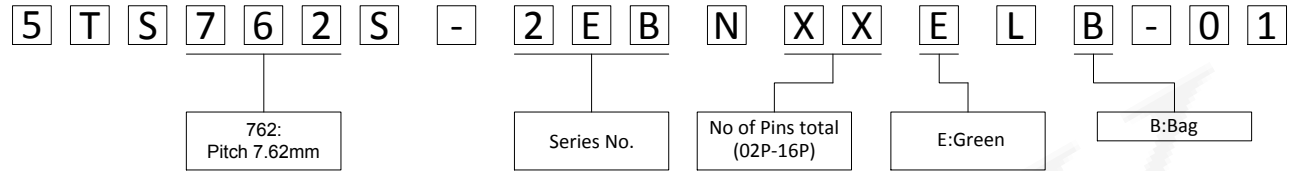


ELECTRICAL

Standard: UL IEC
 Rated Voltage: 300V 400V
 Rated Current: 15A 13.5A
 Contact Resistance: 20mΩ
 Insulation Resistance: 500MΩ / DC500V
 Withstanding Voltage: AC 2000V for one minute

ORDER INFORMATION



MECHANICAL

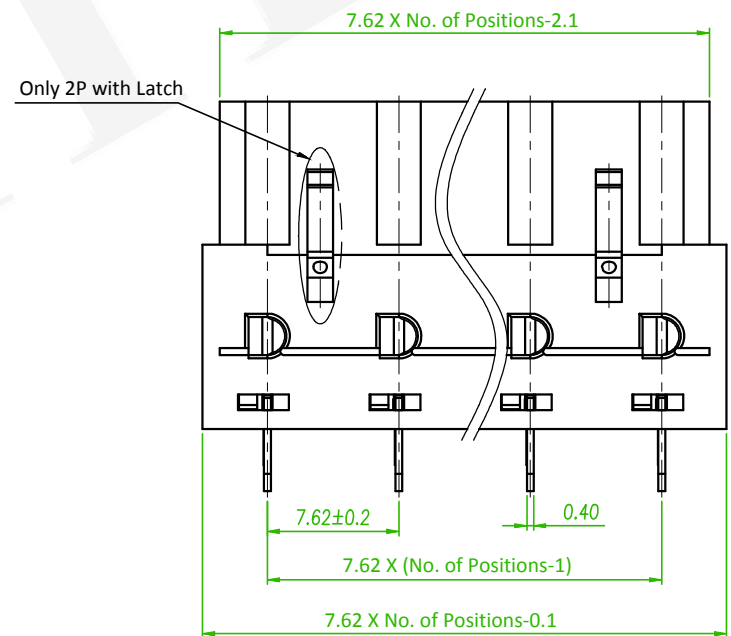
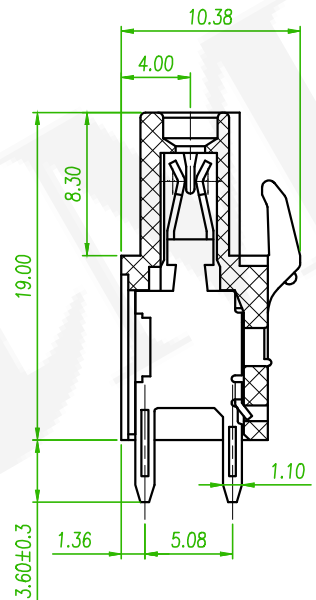
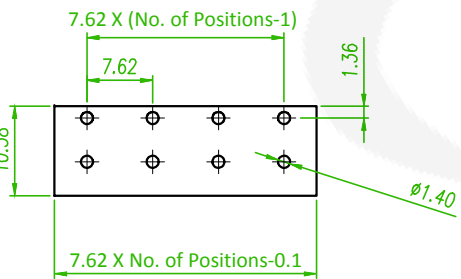
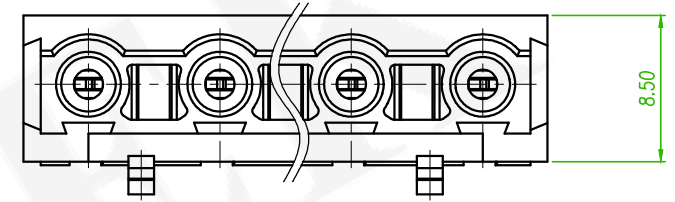
Temp. Range: -40°C ~ +105°C
 Max Soldering: +250°C, for 5 Sec

MATERIAL

Housing: PA66, UL94V-0
 Pin Header: Copper alloy, Sn Plated

DIMENSIONS

Pitch: 7.62mm
 Poles: 2P-16P



P.C.B. LAYOUT

linear dimension (Tolerances Standard GB/T 14486-2008)								—	∕	⊥
variable range	to 6	over 6 to 10	over 10 to 30	over 30 to 60	over 60 to 100	over 100 to 160	over 160 to	to 10	over 10 to 100	over 100 to
tolerance	±0.20	±0.30	±0.50	±0.70	±1.00	±1.30	±1.60	0.10	0.30	0.60

REV.	ECN NO. OR DESCRIPTION	REVISED	DATE
△x1	ECN NO:200718 Revise the Tolerance	Alice	2020/09/30

糧德精密有限公司
 Amtek Technology Co., Ltd.
 TEL: 886-2-2260-6878
 FAX: 886-2-2260-8030

品名 TITLE	Terminal Block				頁數 Page	1/1
品號 PART NO.	5TP762S-2EBNXXELB-01			繪圖 DRAWN	Mia 2016/12/08	
圖號 DRAWING NO.	GN011-MC123	版本 REV.	B	核對 CHECKED	Jonny 2016/12/08	
客戶品號 CUSTOMER P/N		比例 SCALE	None	承認 APPROVED	Aaron 2016/12/08	
公差 TOLERANCE		單位 UNIT	mm	THIRD ANGLE PROJECTION		