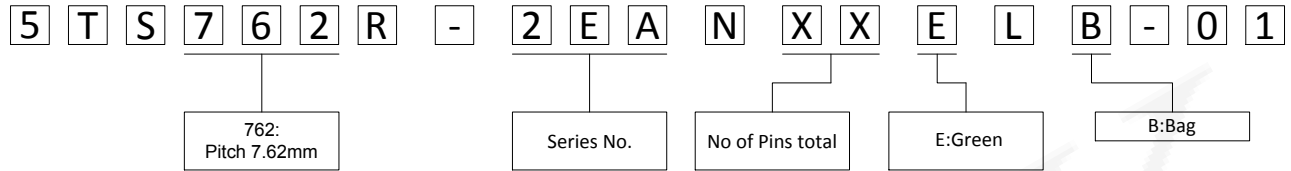


ELECTRICAL

Standard: UL IEC
 Rated Voltage: 300V 400V
 Rated Current: 15A 13.5A
 Contact Resistance: 20mΩ
 Insulation Resistance: 500MΩ / DC500V
 Withstanding Voltage: AC 2000V for one minute

ORDER INFORMATION



MECHANICAL

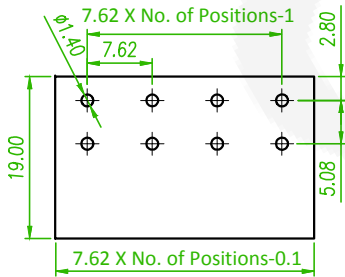
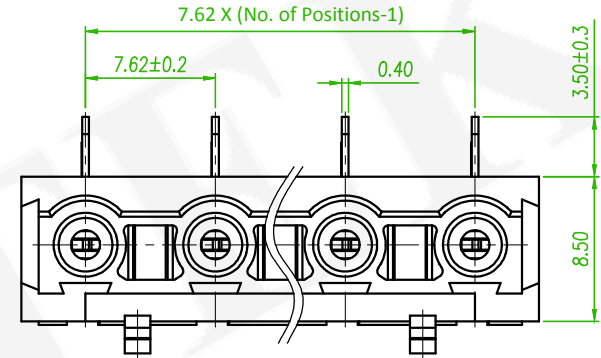
Temp. Range: -40°C ~ +105°C
 Max Soldering: +250°C, for 5 Sec

MATERIAL

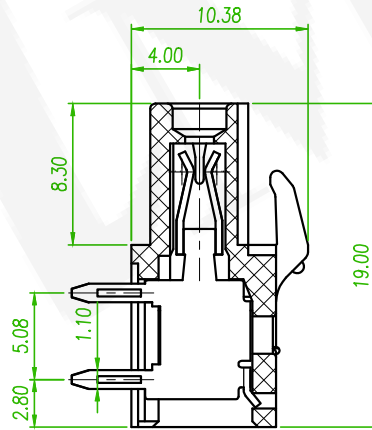
Housing: PA66, UL94V-0
 Pin Header: Copper alloy, Sn Plated

DIMENSIONS

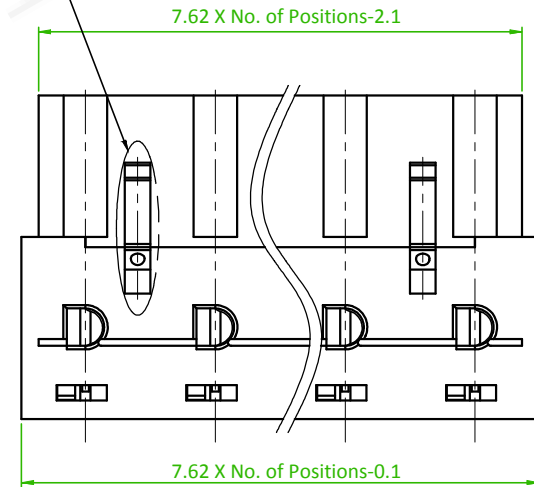
Pitch: 7.62mm
 Poles: 2P-16P



P.C.B. LAYOUT



Only 2P with Latch



linear dimension (Tolerances Standard GB/T 14486-2008)								—	∕	⊥
variable range	to 6	over 6 to 10	over 10 to 30	over 30 to 60	over 60 to 100	over 100 to 160	over 160 to 10	to 10	over 10 to 100	over 100 to 100
tolerance	±0.20	±0.30	±0.50	±0.70	±1.00	±1.30	±1.60	0.10	0.30	0.60

REV.	ECN NO. OR DESCRIPTION	REVISED	DATE
△x1	ECN NO:200718 Revise the Tolerance	Alice	2020/09/30

糧德精密有限公司
 Amtek Technology Co., Ltd.
 TEL: 886-2-2260-6878
 FAX: 886-2-2260-8030

品名 TITLE	Terminal Block				頁數 Page	1/1
品號 PART NO.	5TP762R-2EANXXELB-01			繪圖 DRAWN	Mia 2016/12/08	
圖號 DRAWING NO.	GN011-MC122		版本 REV.	B	核對 CHECKED	Jonny 2016/12/08
客戶品號 CUSTOMER P/N			比例 SCALE	None	承認 APPROVED	Aaron 2016/12/08
公差 TOLERANCE			單位 UNIT	mm	THIRD ANGLE PROJECTION	