

ORDER INFORMATION

ELECTRICAL

Rated Voltage: 300V
 Rated Current: 15A
 Contact Resistance: 20mΩ
 Insulation Resistance: 500MΩ / DC 500V
 Withstanding Voltage: AC 1500V for one minute
 Wire range: 28~12AWG 2.5mm²

MECHANICAL

Temp. Range: -40°C~+105°C
 Max Soldering: +250°C for 5 Sec.
 Torque(Max): 0.5Nm(4.5Lb.in)
 Steip Length: 7-8mm

DIMENSIONS

Pitch: 7.62mm
 Poles: 2-24P

MATERIAL

Housing: PA66, UL94V-0
 Screws: M2.5 Steel Ni plated
 Contact: Brass nickel plated

5 T P 7 6 2 N - 2 K A N X X X L B - 0 1

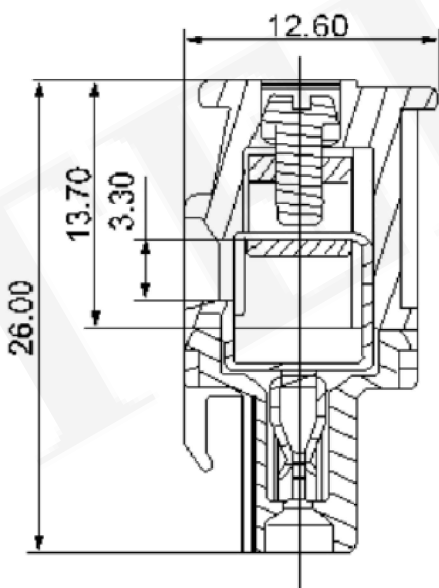
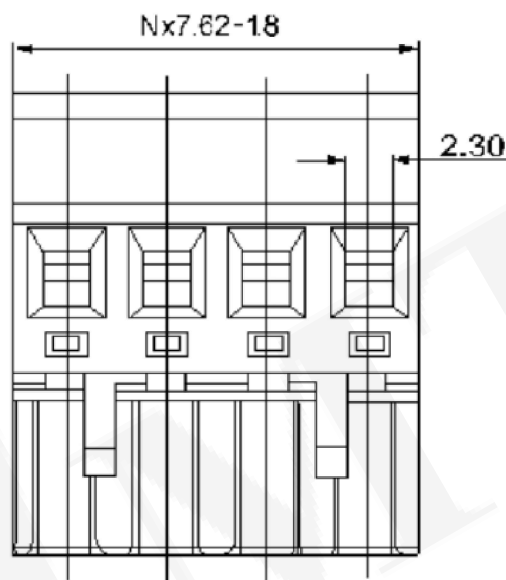
762:
Pitch 7.62mm

Series No.

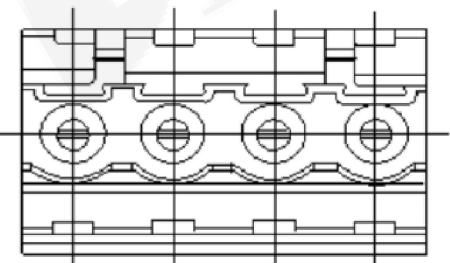
No of Pins total
(02~24)

B:Black
E:Green

B:Bag



N=Number of contacts



AMTEK 糧德
 2020.10.15
 Released DCC



linear dimension (Tolerances Standard GB/T 14486-2008)										
variable range	to	over 6 to 10	over 10 to 30	over 30 to 60	over 60 to 100	over 100 to 160	over 160 to 10	over 10 to 100	over 100 to	
tolerance	±0.20	±0.30	±0.50	±0.70	±1.00	±1.30	±1.60	0.10	0.30	0.60

Old Part No. : TB2EKA-7.62-XXP-1X-00A-L



REV.	ECN NO. OR DESCRIPTION	REVISED	DATE
------	------------------------	---------	------



糧德精密有限公司
 Amtek Technology Co., Ltd.
 TEL: 886-2-2260-6878
 FAX: 886-2-2260-8030

品名 TITLE	Terminal Block				頁數 Page	1/1
品號 PART NO.	5TP762N-2KANXXXLB-01			繪圖 DRAWN	Mia 2016/10/06	
圖號 DRAWING NO.	GN011-AL338	版本 REV.	B	核對 CHECKED	Jonny 2016/10/06	
客戶品號 CUSTOMER P/N		比例 SCALE	None	承認 APPROVED	Aaron 2016/10/06	
公差 TOLERANCE	.X ±0.20 .XX ±15	單位 UNIT	mm	THIRD ANGLE PROJECTION	