

Electrical

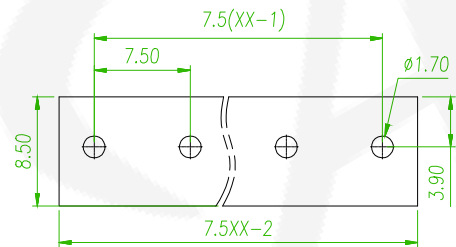
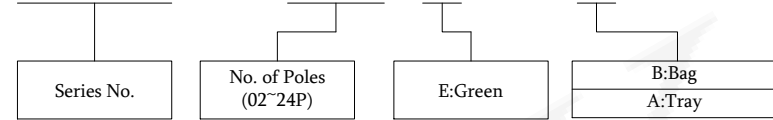
Standard: UL IEC
 Rated Voltage: 300V 450V
 Rated Current: 15A 17.5A
 Contact Resistance: 20mΩ
 Insulation Resistance: 500MΩ / DC 500V
 Dielectric Voltage: AC 2000V for one minute
 Temp. Range: -40°C ~ +105°C
 Max Soldering: +250°C for 5 Sec

Material

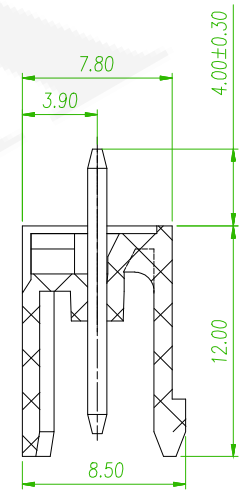
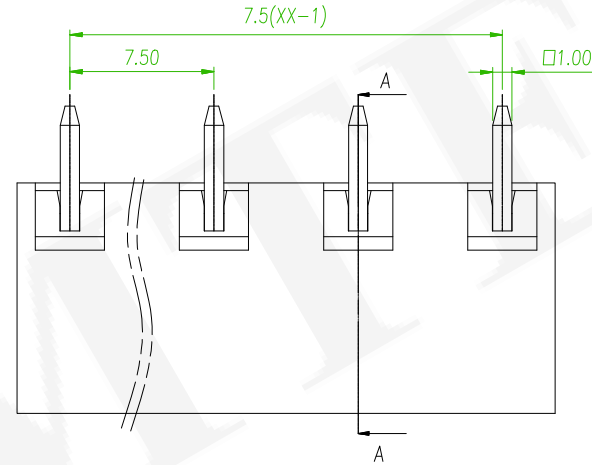
Housing: PA66, UL94V-0
 Contact: Brass, Tin plated

ORDER INFORMATION

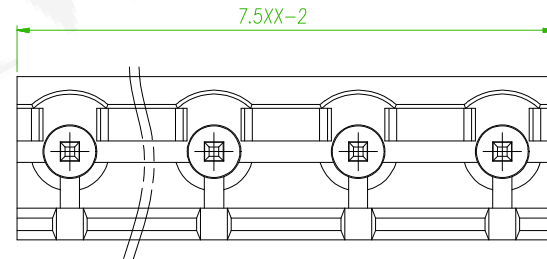
5 T P 7 5 0 S - 2 E V N X X E L X - 0 1



PCB LAYOUT



SECTION A-A



linear dimension(Tolerances Standard GB/T 14486-2008)								—	∕	⊥
variable range	to 6	over 6 to 10	over 10 to 30	over 30 to 60	over 60 to 100	over 100 to 160	over 160 to 10	over 10 to 100	over 100 to	
tolerance	±0.20	±0.30	±0.50	±0.70	±1.00	±1.30	±1.60	0.10	0.30	0.60

REV.	ECN NO. OR DESCRIPTION	REVISED	DATE
	ECN NO.:200718 Revise the Tolerance	Alice	2020/12/23

糧德精密有限公司
 Amtek Technology Co., Ltd.
 TEL: 886-2-2260-6878
 FAX: 886-2-2260-8030

品名 TITLE	Terminal Block			頁數 Page	1/1
品號 PART NO.	5TP750S-2EVNXXELX-01			繪圖 DRAWN	David 2020/03/20
圖號 DRAWING NO.	GN011-DV928	版本 REV.	B	核對 CHECKED	Josh 2020/03/20
客戶品號 CUSTOMER P/N		比例 SCALE	None	承認 APPROVED	Josh 2020/03/20
公差 TOLERANCE		單位 UNIT	mm	THIRD ANGLE PROJECTION	