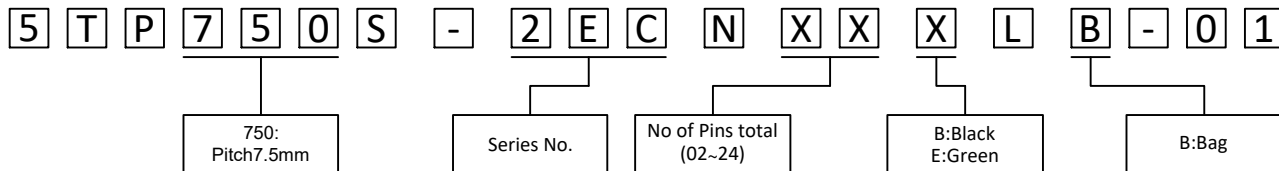


ELECTRICAL

Standard: UL IEC
 Rated Voltage: 300V 320V
 Rated Current: 15A 20A
 Contact Resistance: 20mΩ
 Insulation Resistance: 500MΩ / DC 500V
 Withstanding Voltage: AC 2000V for one minute

ORDER INFORMATION



MECHANICAL

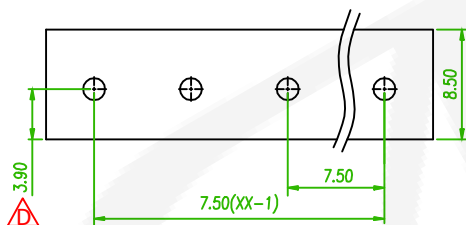
Temp.Range:-40°C~+105°C

DIMENSIONS

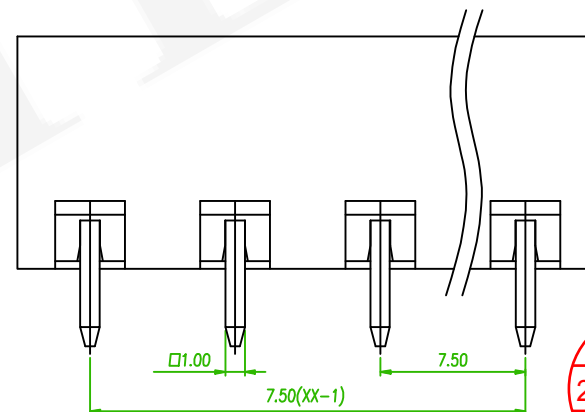
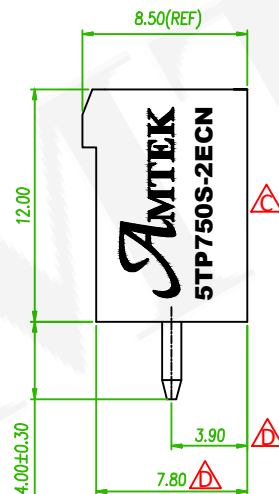
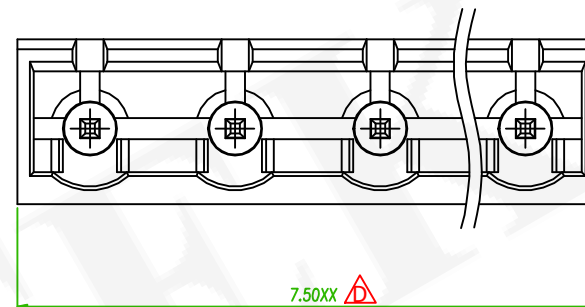
Pitch: 7.5mm
 Poles:2-24P

MATERIAL

Housing: Nylon66, UL94V-0
 Pin header:Brass,Tin plated
 Nut:M2.5,Brass



P.C.B. LAYOUT



linear dimension(Tolerances Standard GB/T 14486-2008)

	—	∕	⊥
variable range	to 6	over 6 to 10	over 10 to 30
	to 10	over 10 to 30	over 30 to 60
	to 30	over 30 to 60	over 60 to 100
	to 60	over 60 to 100	over 100 to 160
	to 100	over 100 to 160	over 160 to 100
	to 160	over 160 to 100	over 100 to 100
tolerance	±0.20	±0.30	±0.50
	±0.70	±1.00	±1.30
	±1.60	0.10	0.30
	0.60		

Old Part No. :TB2EVC-7.5-XXP-1X-00A-L

品名 TITLE	Terminal Block				頁數 Page	1/1
品號 PART NO.	5TP750S-2ECNXXXLB-01			繪圖 DRAWN	Mia 2016/10/07	
圖號 DRAWING NO.	GN011-AL336	版本 REV.	D	核對 CHECKED	Jonny 2016/10/07	
客戶品號 CUSTOMER P/N		比例 SCALE	None	承認 APPROVED	Aaron 2016/10/07	
公差 TOLERANCE		單位 UNIT	mm	THIRD ANGLE PROJECTION		



糧德精密有限公司
 Amtek Technology Co., Ltd.
 TEL: 886-2-2260-6878
 FAX: 886-2-2260-8030

△x4	ECN NO:220704 Revise the Drawing	Benson	2022/07/26
△x1	ECN NO:210508 Revise the Drawing	Alice	2022/07/12
△x1	ECN NO:200718 Revise the Tolerance	Alice	2020/09/25
REV.	ECN NO. OR DESCRIPTION	REVISED	DATE