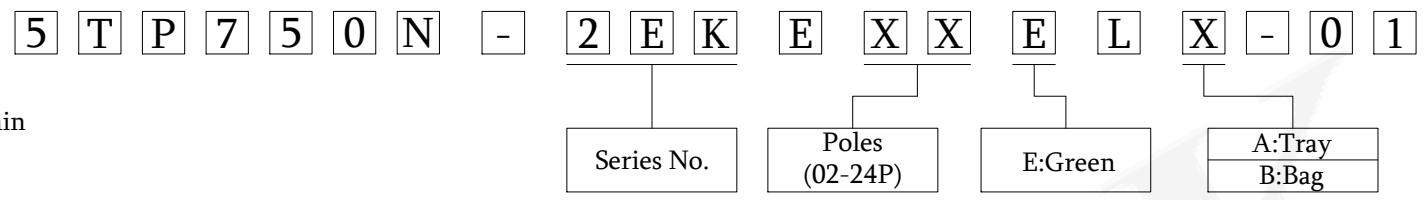


**ELECTRICAL**

Standard: UL IEC  
 Rated Voltage: 300V 630V  
 Rated Current: 15A 20A  
 Contact Resistance: 20mΩ  
 Withstanding Voltage: AC 2000V for one min  
 Insulation Resistance: 500MΩ  
 Wire range: 28-14AWG 2.5mm<sup>2</sup>

**ORDER INFORMATION**

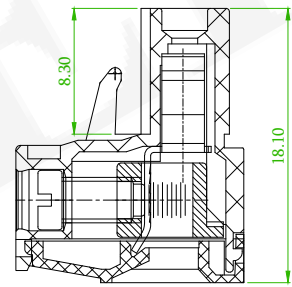
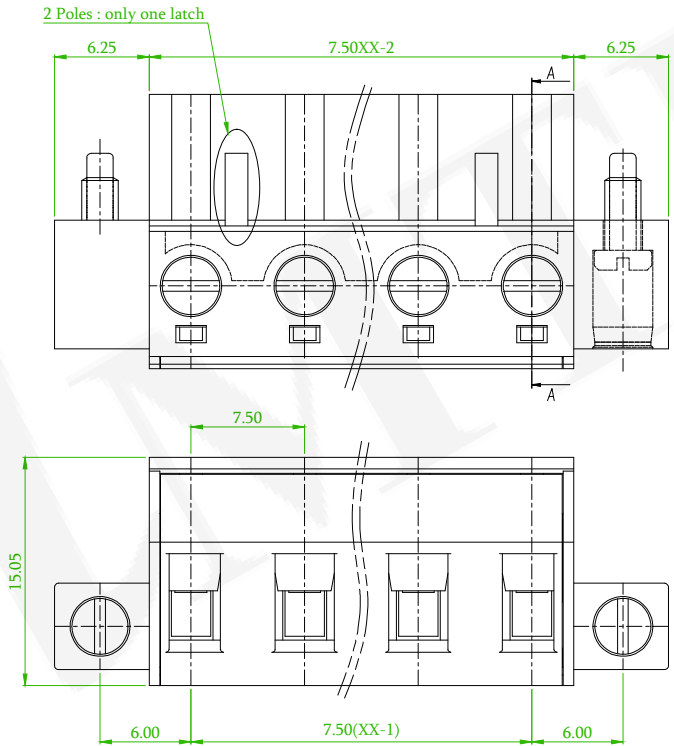


**MECHANICAL**

Temp. Range: -40°C ~ +105°C  
 Torque: 0.5Nm  
 Steip length: 7-8mm

**MATERIAL**

Housing: PA66, UL94V-0  
 Screws: M3.0 Steel Zn plated  
 Clamp: Copper alloy, Ni plated  
 Cage: Copper alloy, Ni plated  
 Fixing screws: M2.5 Steel, Zn plated



SECTION A-A



linear dimension(Tolerances Standard GB/T 14486-2008)								—	∥	⊥
variable range	to 6	over 6 to 10	over 10 to 30	over 30 to 60	over 60 to 100	over 100 to 160	over 160 to 10	over 10 to 100	over 100 to 100	over 100 to 100
tolerance	±0.20	±0.30	±0.50	±0.70	±1.00	±1.30	±1.60	0.10	0.30	0.60

REV.	ECN NO. OR DESCRIPTION	REVISED	DATE
Bx1	ECN NO.:200718 Revise the Tolerance	Alice	2020/09/24

**糧德精密有限公司**  
 Amtek Technology Co., Ltd.  
 TEL: 886-2-2260-6878  
 FAX: 886-2-2260-8030

品名 TITLE	7.5mm Terminal Block				頁數 Page	1/1
品號 PART NO.	5TP750N-2EKEXXELX-01			繪圖 DRAWN	Eric 2018/12/17	
圖號 DRAWING NO.	GN011-EA310	版本 REV.	B	核對 CHECKED	Josh 2018/12/17	
客戶品號 CUSTOMER P/N		比例 SCALE	None	承認 APPROVED	Jason 2018/12/17	
公差 TOLERANCE		單位 UNIT	mm	THIRD ANGLE PROJECTION		