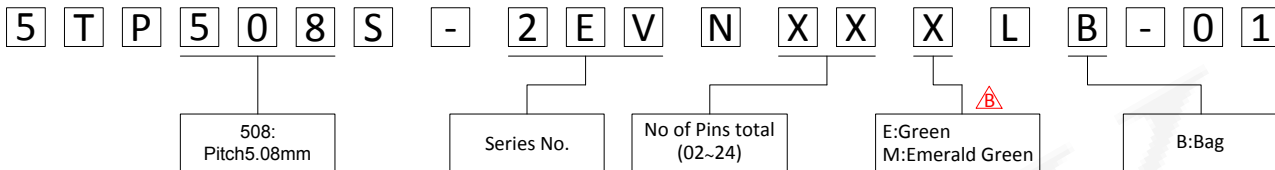


# ORDER INFORMATION

## ELECTRICAL

Standard: UL IEC  
 Rated Voltage: 300V 450V  
 Rated Current: 15A 17.5A  
 Contact Resistance: 20mΩ  
 Insulation Resistance: 500MΩ / DC 500V  
 Withstanding Voltage: AC 2000V for one minute



## MECHANICAL

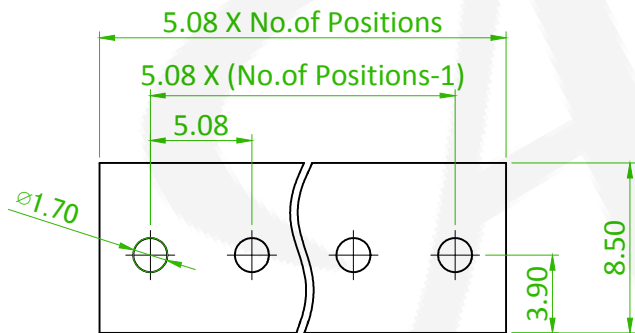
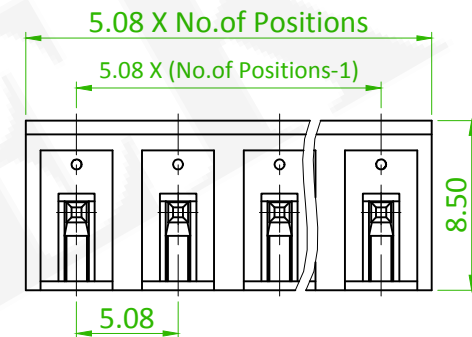
Temp. Range: -40°C~+105°C  
 Max Soldering: +250°C, for 5 Sec

## DIMENSIONS

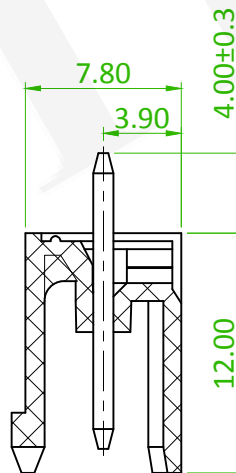
Pitch: 5.08mm  
 Poles: 2-24P

## MATERIAL

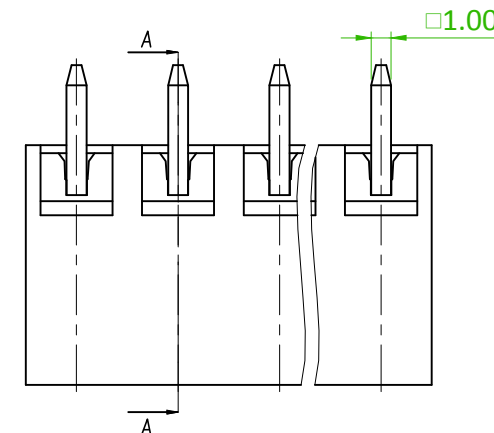
Housing: PA66, UL94V-0  
 Pin header: Brass, Tin plated



P.C.B. LAYOUT



SECTION:A-A



Old Part No.: TB2EV-5.08-02P-140-00A

linear dimension (Tolerances Standard GB/T 14486-2008)



variable range	to 6	over 6 to 10	over 10 to 30	over 30 to 60	over 60 to 100	over 100 to 160	over 160 to 10	over 10 to 100	over 100 to 100	
tolerance	±0.20	±0.30	±0.50	±0.70	±1.00	±1.30	±1.60	0.10	0.30	0.60

△x1	ECN NO:200718 Revise the Tolerance	Alice	2020/09/24
△x1	Add the Color:Emerald Green	Mia	2018/04/12
REV.	ECN NO. OR DESCRIPTION	REVISED	DATE

**糧德精密有限公司**  
 Amtek Technology Co., Ltd.  
 TEL: 886-2-2260-6878  
 FAX: 886-2-2260-8030

品名 TITLE	5.08mm Terminal Block				頁數 Page	1/1
品號 PART NO.	△ 5TP508S-2EVNXXXLB-01			繪圖 DRAWN	Mia 2017/04/18	
圖號 DRAWING NO.	GN011-MC371	版本 REV.	C	核對 CHECKED	Jonny 2017/04/18	
客戶品號 CUSTOMER P/N		比例 SCALE	None	承認 APPROVED	Aaron 2017/04/18	
公差 TOLERANCE		單位 UNIT	mm	THIRD ANGLE PROJECTION		