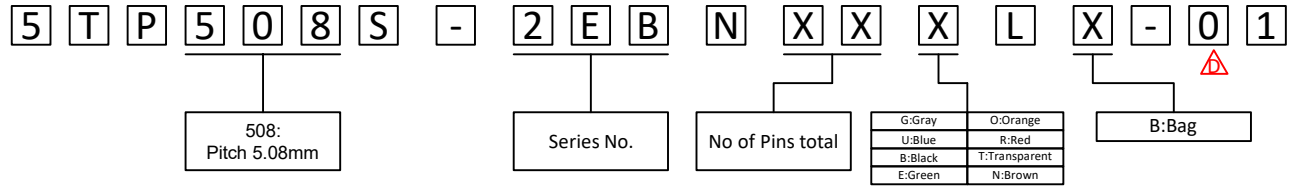


ELECTRICAL

Standard: UL IEC
 Rated Voltage: 300V 450V
 Rated Current: 15A 17.5A
 Contact Resistance: 20mΩ
 Insulation Resistance: 500MΩ / DC500V
 Withstanding Voltage: AC 2000V for one minute

ORDER INFORMATION



MECHANICAL

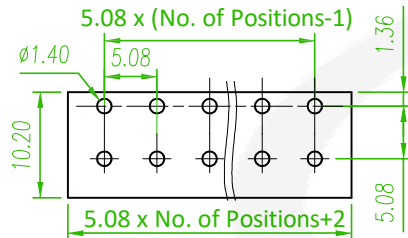
Temp. Range: -40°C ~ +105°C
 Max Soldering: +250°C, for 5 Sec

MATERIAL

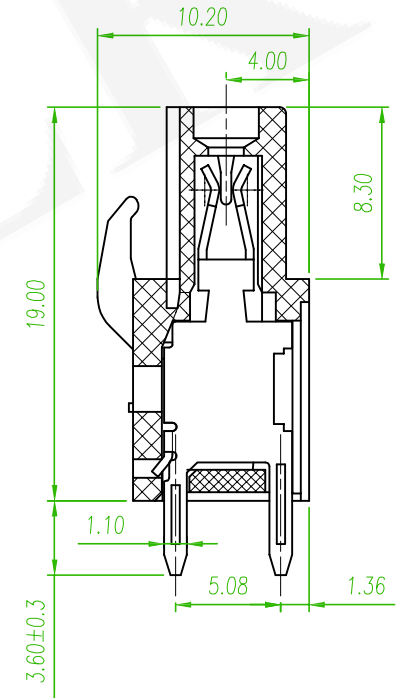
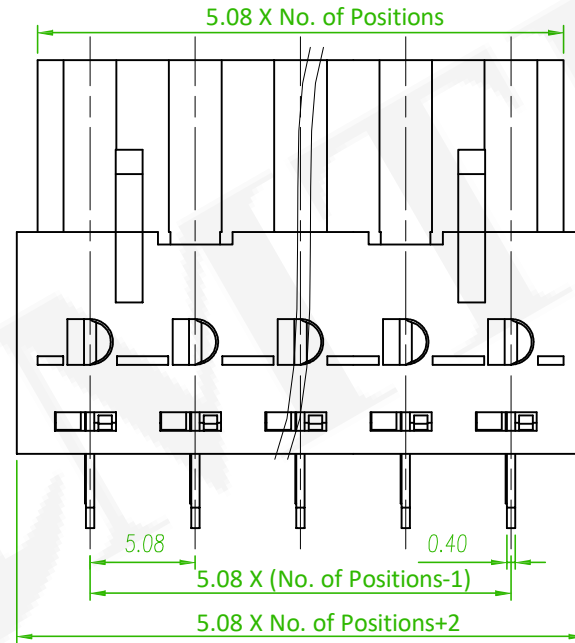
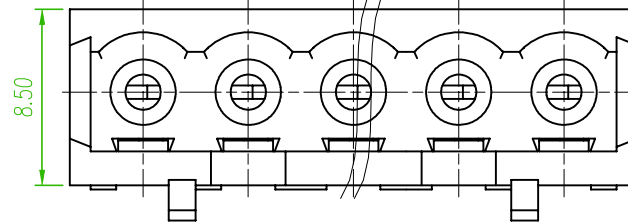
Housing: PA 66, UL94V-0
 Pin Header: Phosphor Bronze, Tin Plated

DIMENSIONS

Pitch: 5.08mm
 Poles: 2P-24P



Recommended PCB Layout
 (PCB TOLERANCE ±0.05)



Old Part No.: TB2EB-5.08-XXP-1X-00A-L

linear dimension (Tolerances Standard GB/T 14486-2008)								—	∕	⊥	
variable range	to 6	over 6 to 10	over 10 to 30	over 30 to 60	over 60 to 100	over 100 to 160	over 160 to 10	to 10	to 100	to 100	
tolerance	±0.20	±0.30	±0.50	±0.70	±1.00	±1.30	±1.60	0.10	0.30	0.60	
△	ECN NO:230714 Revise the PART NO.							Gaby	2023/09/23		
△x2	ECN NO:201215 Revise the PART NO.							Alice	2020/12/30		
△x1	ECN NO:200718 Revise the Tolerance							Alice	2020/09/24		
REV.	ECN NO. OR DESCRIPTION							REVISED	DATE		

糧德精密有限公司
 Amtek Technology Co., Ltd.
 TEL: 886-2-2260-6878
 FAX: 886-2-2260-8030

品名 TITLE		Terminal Block				頁數 Page	1/1
品號 PART NO.	△ 5TP508S-2EBNXXXLX-01 △	繪圖 DRAWN	Mia	2016/10/28			
圖號 DRAWING NO.	GN011-MC015	版本 REV.	D	核對 CHECKED	Jonny		2016/10/28
客戶品號 CUSTOMER P/N		比例 SCALE	None	承認 APPROVED	Aaron		2016/10/28
公差 TOLERANCE		單位 UNIT	mm	THIRD ANGLE PROJECTION			