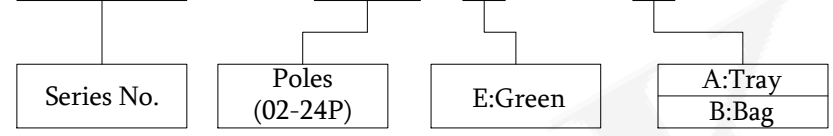


**ELECTRICAL**

Standard: UL IEC  
 Rated Voltage: 300V 250V  
 Rated Current: 8A 10A  
 Contact Resistance: 20mΩ  
 Withstanding Voltage: AC 2000V for one min  
 Insulation Resistance: 500MΩ

**ORDER INFORMATION**

5 T P 5 0 8 R - 5 E R E X X E L X - 0 1

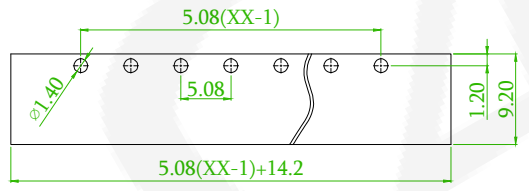
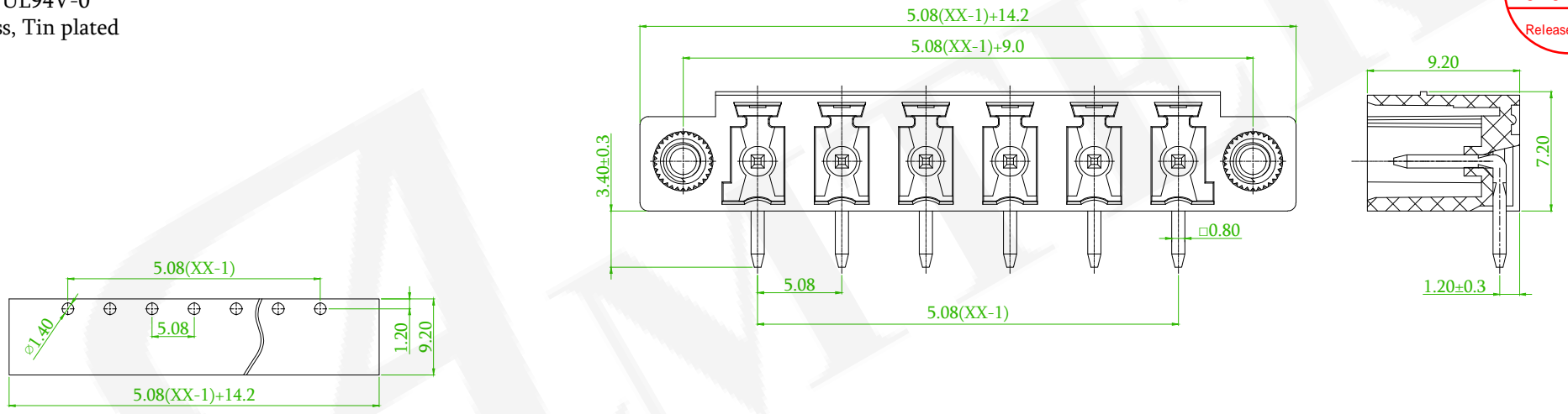


**MECHANICAL**

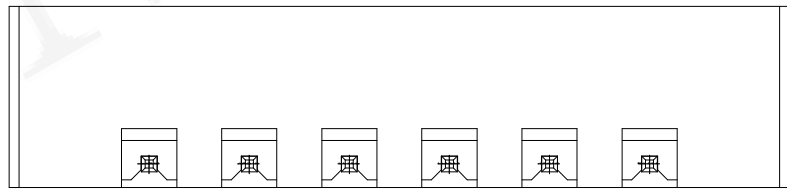
Temp. Range: -40°C ~ +105°C

**MATERIAL**

Housing: PA66, UL94V-0  
 Pin header: Brass, Tin plated



P.C.B. LAYOUT



linear dimension (Tolerances Standard GB/T 14486-2008)								—	∕	⊥	
variable range	to 6	over 6 to 10	over 10 to 30	over 30 to 60	over 60 to 100	over 100 to 160	over 160 to	to 10	over 10 to 100	over 100 to	
tolerance	±0.20	±0.30	±0.50	±0.70	±1.00	±1.30	±1.60	0.10	0.30	0.60	
REV.	ECN NO.:200718 Revise the Tolerance							Alice	2020/09/24		
REV.	ECN NO. OR DESCRIPTION							REVISED	DATE		

<p>糧德精密有限公司                  Amtek Technology Co., Ltd.                  TEL: 886-2-2260-6878                  FAX: 886-2-2260-8030</p>	品名 TITLE	5.08mm Terminal Block			頁數 Page	1/1
	品號 PART NO.	5TP508R-5EREXXELX-01			繪圖 DRAWN	Eric 2018/11/29
	圖號 DRAWING NO.	GN011-EA140	版本 REV.	B	核對 CHECKED	Josh 2018/11/29
	客戶品號 CUSTOMER P/N		比例 SCALE	None	承認 APPROVED	Jason 2018/11/29
	公差 TOLERANCE		單位 UNIT	mm	THIRD ANGLE PROJECTION	