

# ORDER INFORMATION

## ELECTRICAL

Standard: UL IEC  
 Rated Voltage: 250V 320V  
 Rated Current: 15A 10A  
 Contact Resistance: 20mΩ  
 Insulation Resistance: 500MΩ / DC 1000V  
 Withstanding Voltage: AC 2000V for one minute

## MECHANICAL

Temp. Range: -40°C~+105°C

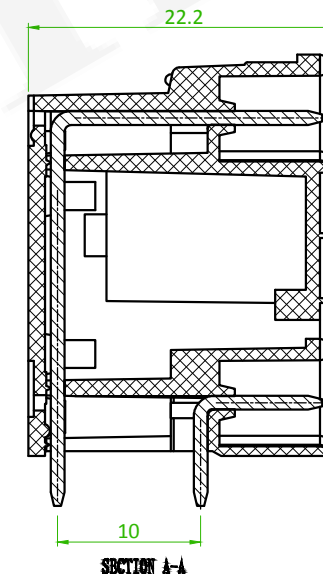
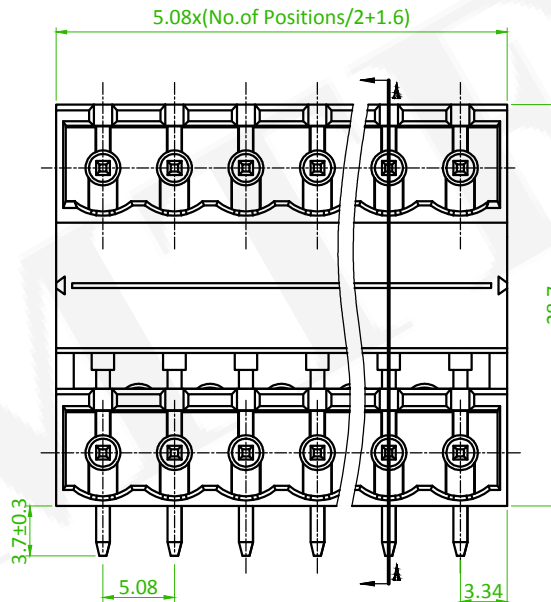
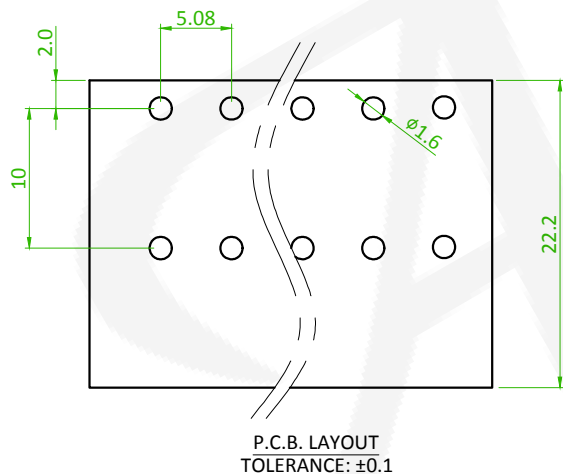
## MATERIAL

Housing: Nylon66, UL94V-0  
 Pin header: Brass, Tin plated

5 T P 5 0 8 R - 2 R H N X X X L X - 0 1



Series No.	No of Pins total (02~24)	G:Gray	O:Orange	X:Box
		U:Blue	R:Red	B:Bag
		B:Black	T:Trans-parent	
		E:Green	N:Brown	
			W:White	



linear dimension (Tolerances Standard GB/T 14486-2008)



variable range	to 6	over 6 to 10	over 10 to 30	over 30 to 60	over 60 to 100	over 100 to 160	to 10	over 10 to 100	to 100	
tolerance	±0.20	±0.30	±0.50	±0.70	±1.00	±1.30	±1.60	0.10	0.30	0.60

Old Part No. :TB2ERH-5.08-XXP-1X-00A-L

糧德精密有限公司  
 Amtek Technology Co., Ltd.  
 TEL: 886-2-2260-6878  
 FAX: 886-2-2260-8030

品名 TITLE	5.08mm Terminal Block				頁數 Page	1/1
品號 PART NO.	5TP508R-2RHNXXXLX-01			繪圖 DRAWN	Mia 2018/02/12	
圖號 DRAWING NO.	GN011-MD248	版本 REV.	B	核對 CHECKED	Josh 2018/02/12	
客戶品號 CUSTOMER P/N		比例 SCALE	None	承認 APPROVED	Jason 2018/02/12	
公差 TOLERANCE		單位 UNIT	mm	THIRD ANGLE PROJECTION		

REV.	ECN NO. OR DESCRIPTION	REVISED	DATE
△x1	ECN NO:200718 Revise the Tolerance	Alice	2020/09/24