

**ELECTRICAL**

Standard: UL IEC  
 Rated Voltage: 300V 250V  
 Rated Current: 15A 17.5A  
 Contact Resistance: 20mΩ  
 Insulation Resistance: 500MΩ / DC 500V  
 Withstanding Voltage: AC 2000V for one minute

**MECHANICAL**

Temp. Range: -40°C ~ +105°C  
 Soldering Max: +260°C 5s

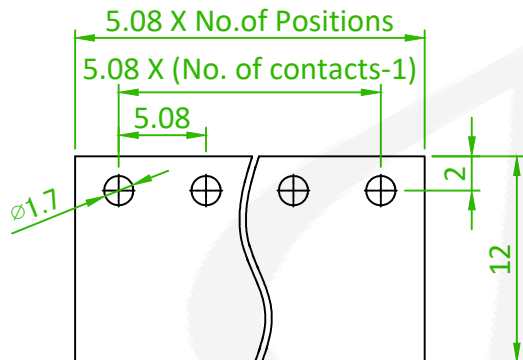
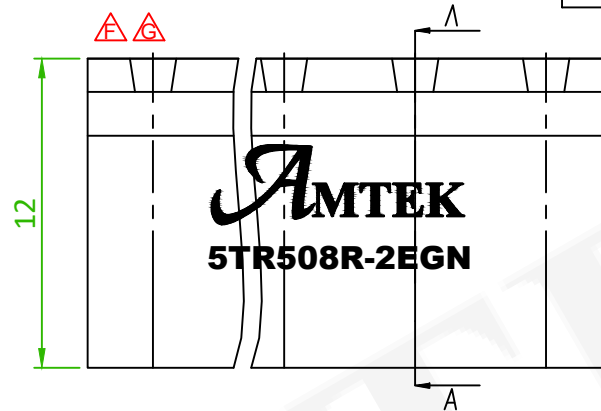
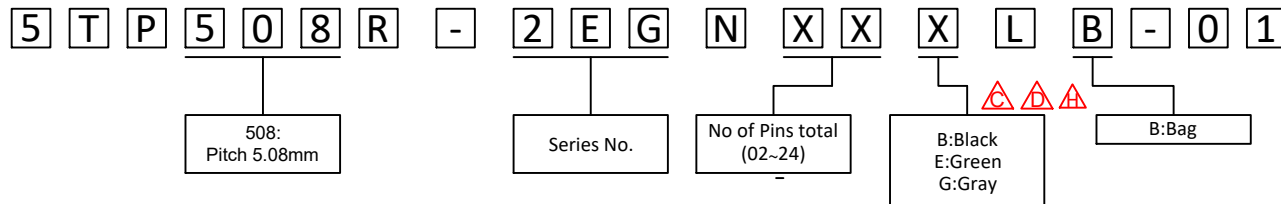
**DIMENSIONS**

Pitch: 5.08mm  
 Poles: 2-24P

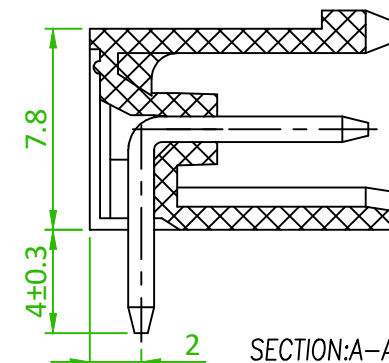
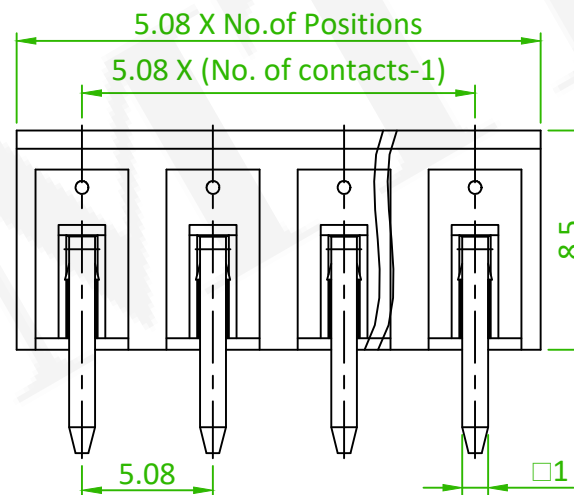
**MATERIAL**

Housing: PA66, UL94V-0  
 Pin header: Brass Tin plated

**ORDER INFORMATION**



**P.C.B. LAYOUT**



Old Part No. : TB2ER-5.08-XXP-1X-00A-L

linear dimension (Tolerances Standard GB/T 14486-2008)								—	∕	⊥
variable range	to 6	over 6 to 10	over 10 to 30	over 30 to 60	over 60 to 100	over 100 to 160	to 10	to 100	to 100	
tolerance	±0.20	±0.30	±0.50	±0.70	±1.00	±1.30	±1.60	0.10	0.30	0.60

△	ECN NO.230824 Revise the Drawing	Alice	2023/08/31
△x1	ECN NO.230421 Revise the Drawing	Alice	2023/05/12
△x1	ECN NO.221109 Revise the Drawing	Benson	2022/11/23
REV.	ECN NO. OR DESCRIPTION	REVISED	DATE

**耀德精密有限公司**  
 Amtek Technology Co., Ltd.  
 TEL: 886-2-2260-6878  
 FAX: 886-2-2260-8030

品名 TITLE	Terminal Block				頁數 Page	1/1
品號 PART NO.	5TP508R-2EGNXXXLB-01			繪圖 DRAWN	Mia 2016/08/18	
圖號 DRAWING NO.	GN011-MC432	版本 REV.	I	核對 CHECKED	Boris 2016/08/18	
客戶品號 CUSTOMER P/N		比例 SCALE	None	承認 APPROVED	Boris 2016/08/18	
公差 TOLERANCE		單位 UNIT	mm	THIRD ANGLE PROJECTION		